

ECC4 cable list

50 W cables

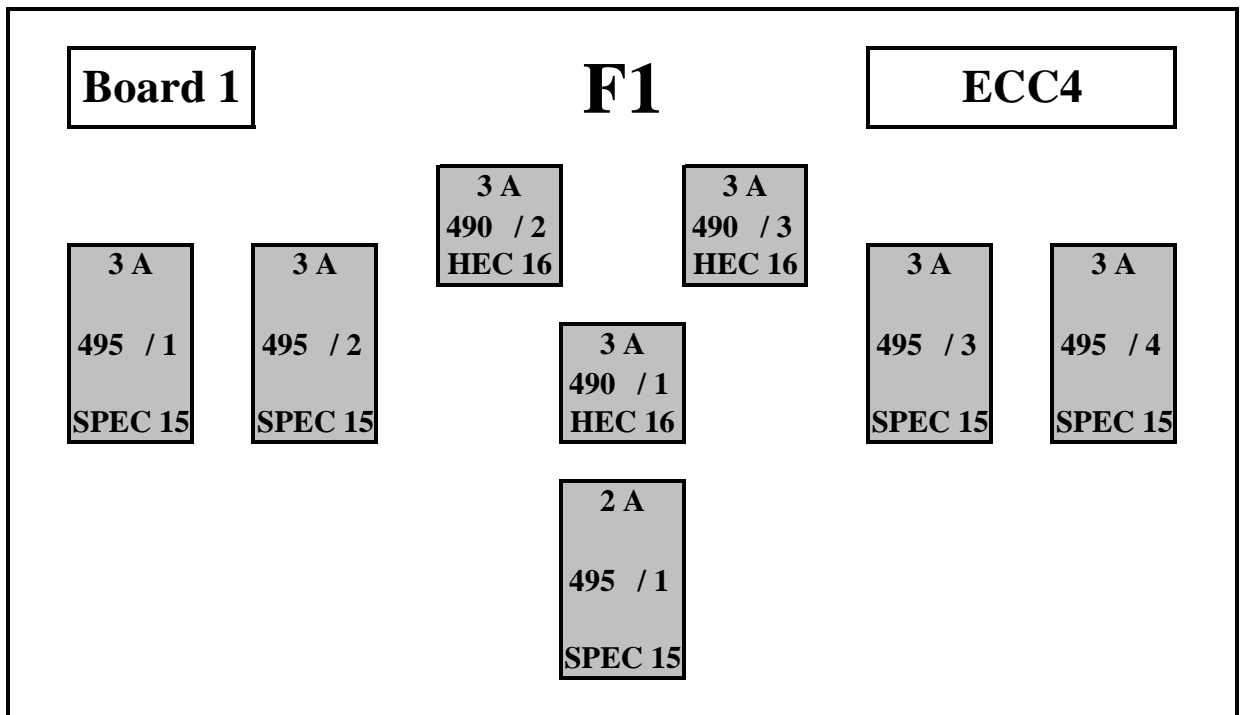
Type	Length	Quantity	
T31	390	6	
T32	410	8	
T33	420	0	
T34	435	8	
T35	455	6	
T36	490	1	
T60	495	0	
T61	530	0	
T37	490	6	Calibration
T38	490	3	Presampler
T39	600	0	Monitoring

25 W cables

Type	Length	Quantity
T40	325	2
T41	340	4
T42	360	8
T43	375	6
T44	390	7
T45	440	5
T46	495	3
T62	535	0

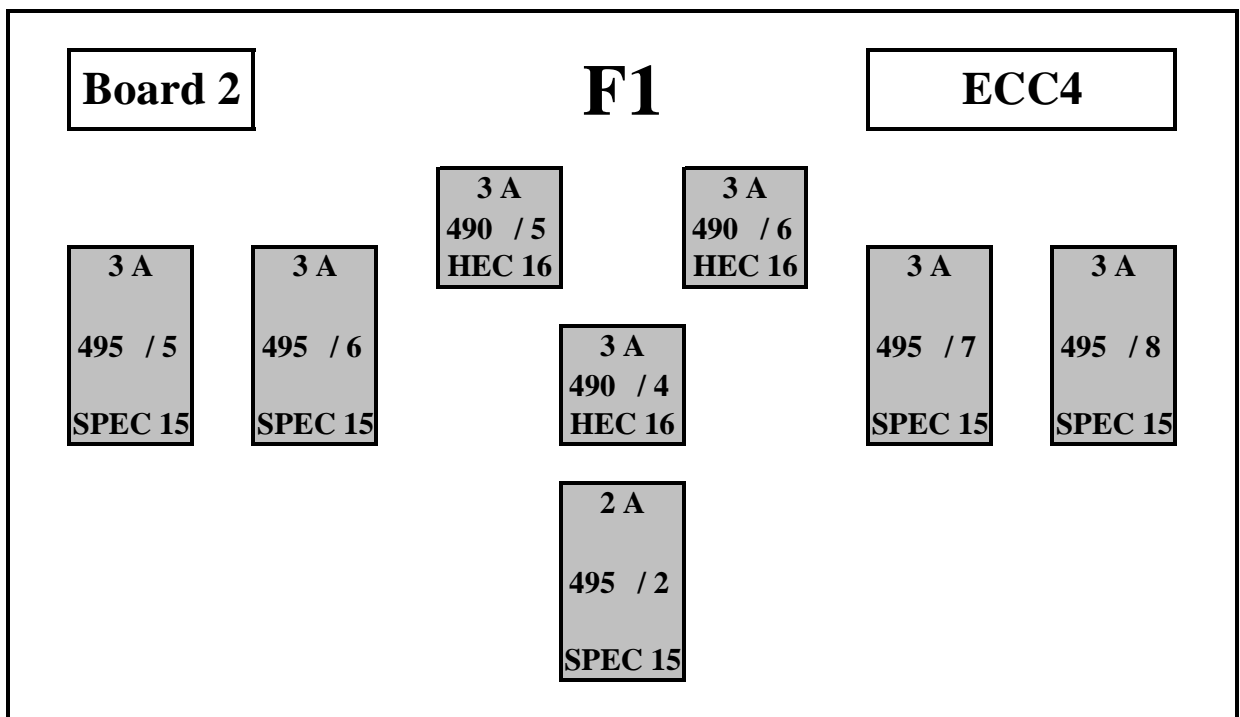
Mother Boards used for ECC4

Internal Number	1	2	3	4
Type				
F1				
F2				
F3				
F4				
F5				
B1				
B2				
B3				
B4				
IB				



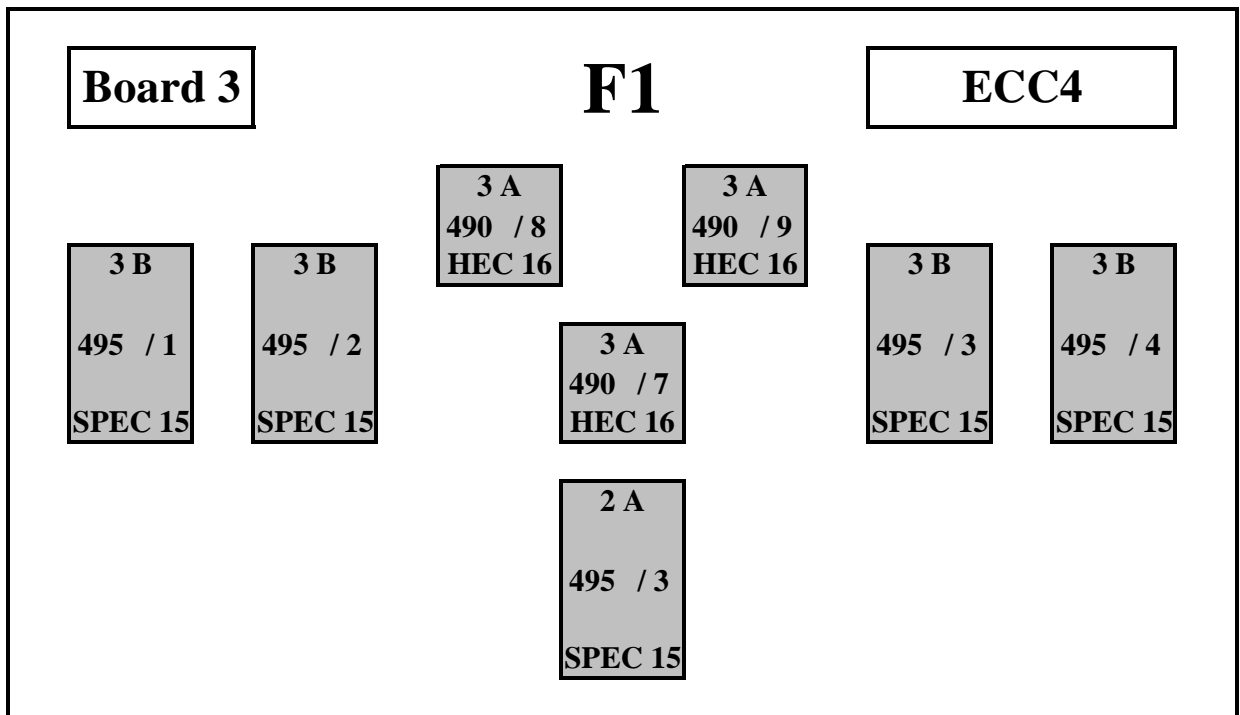
Harness :	2 A	3074	F1_1, F1_2, F1_3 and F1_4
Harness :	3 A	3075	F1_1 and F1_2

Harness :	3 A	2400	Calibration : F1, B1 and F2
------------------	------------	-------------	------------------------------------



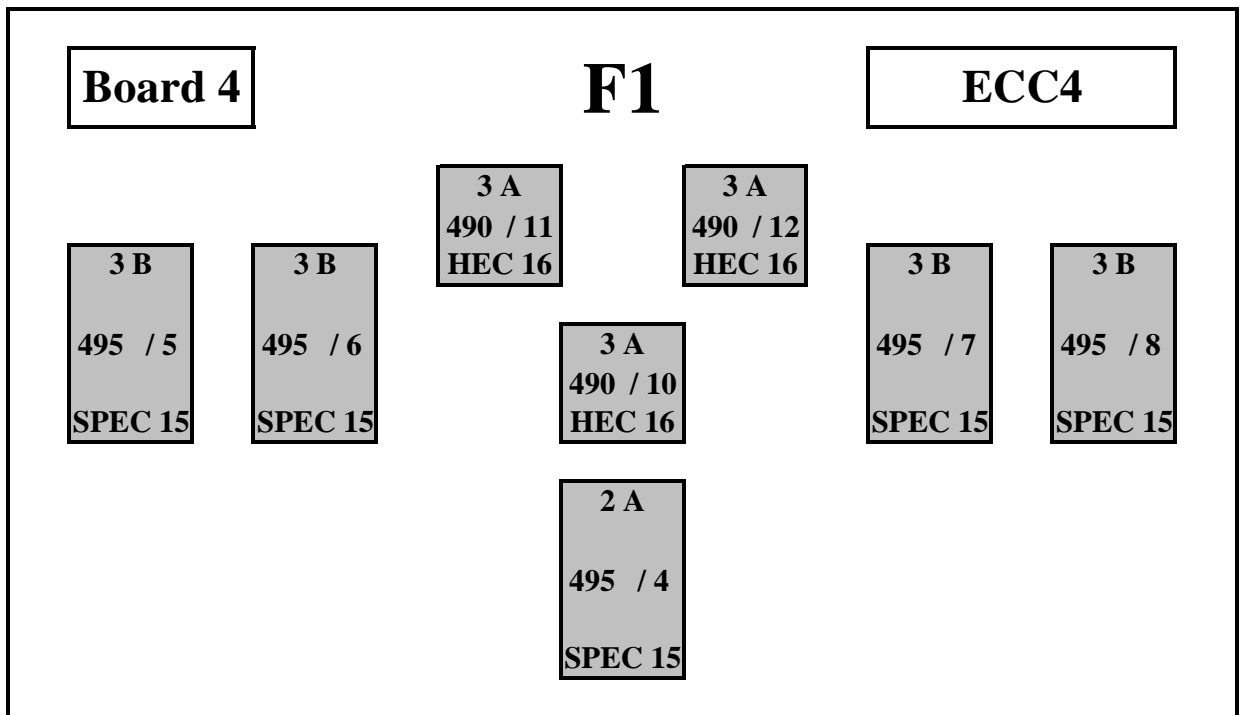
Harness :	2 A	3074	F1_1, F1_2, F1_3 and F1_4
Harness :	3 A	3075	F1_1 and F1_2

Harness :	3 A	2400	Calibration : F1, B1 and F2
------------------	------------	-------------	------------------------------------



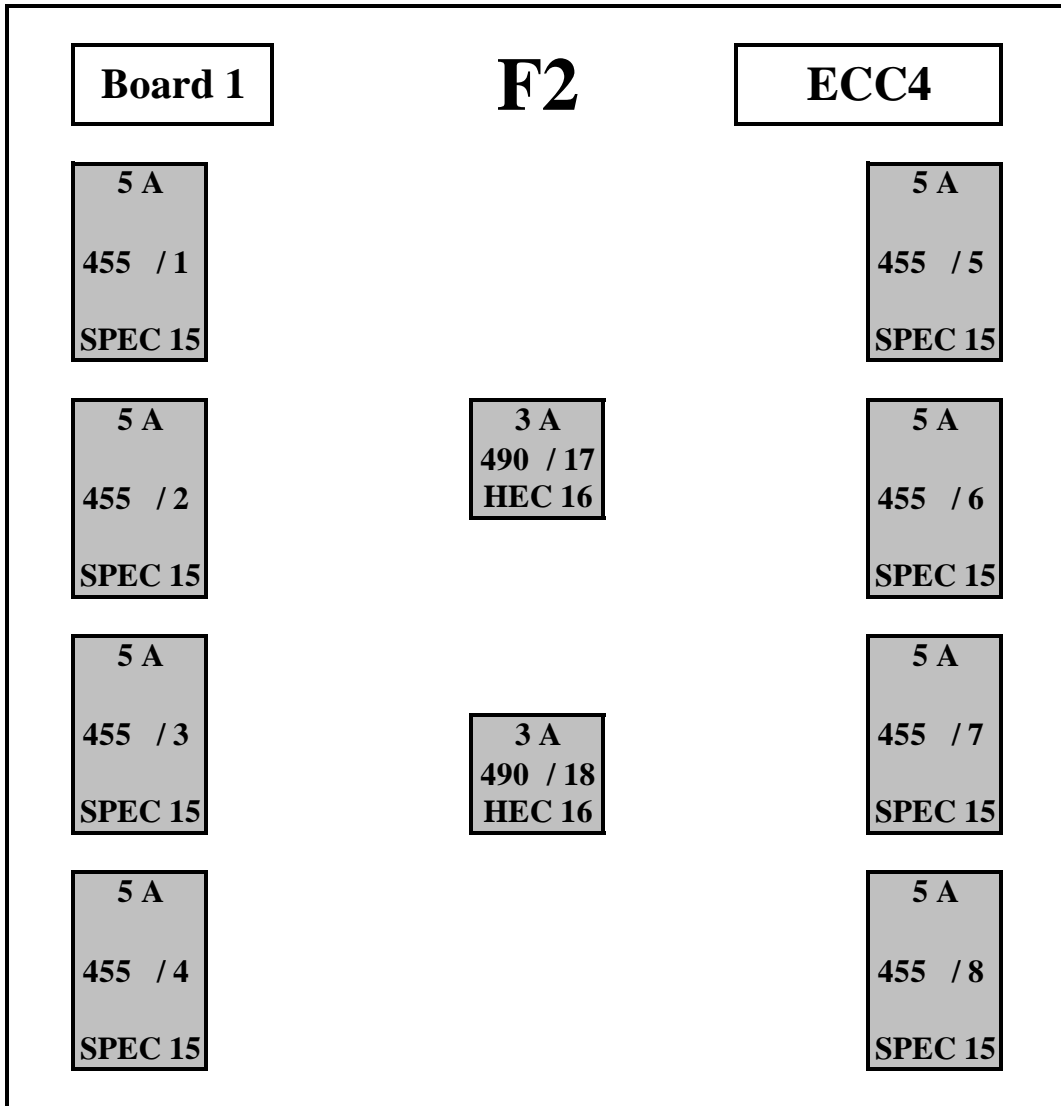
Harness :	2 A	3074	F1_1, F1_2, F1_3 and F1_4
Harness :	3 B	3076	F1_3 and F1_4

Harness :	3 A	2400	Calibration : F1, B1 and F2
------------------	------------	-------------	------------------------------------



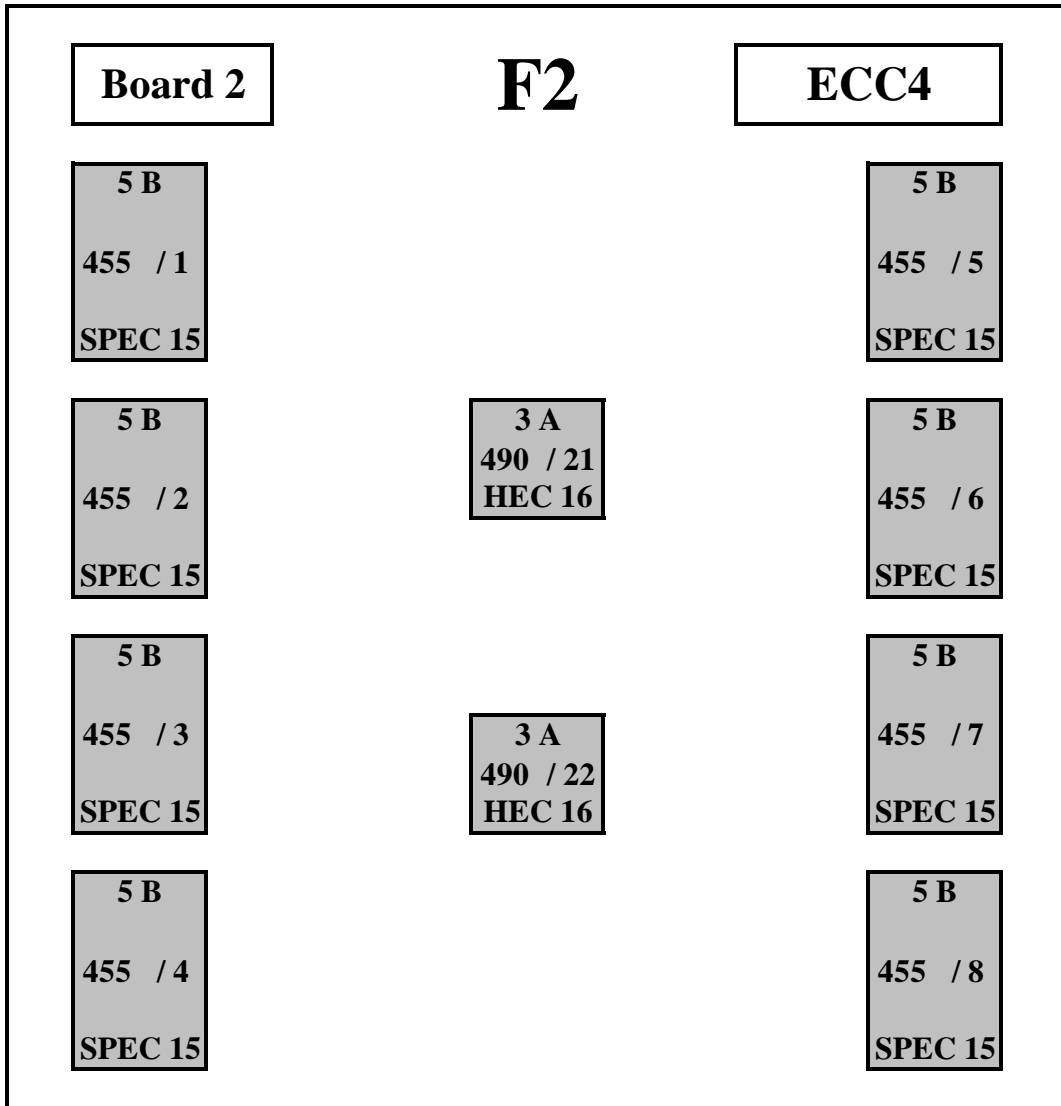
Harness :	2 A	3074	F1_1, F1_2, F1_3 and F1_4
Harness :	3 B	3076	F1_3 and F1_4

Harness :	3 A	2400	Calibration : F1, B1 and F2
------------------	------------	-------------	------------------------------------



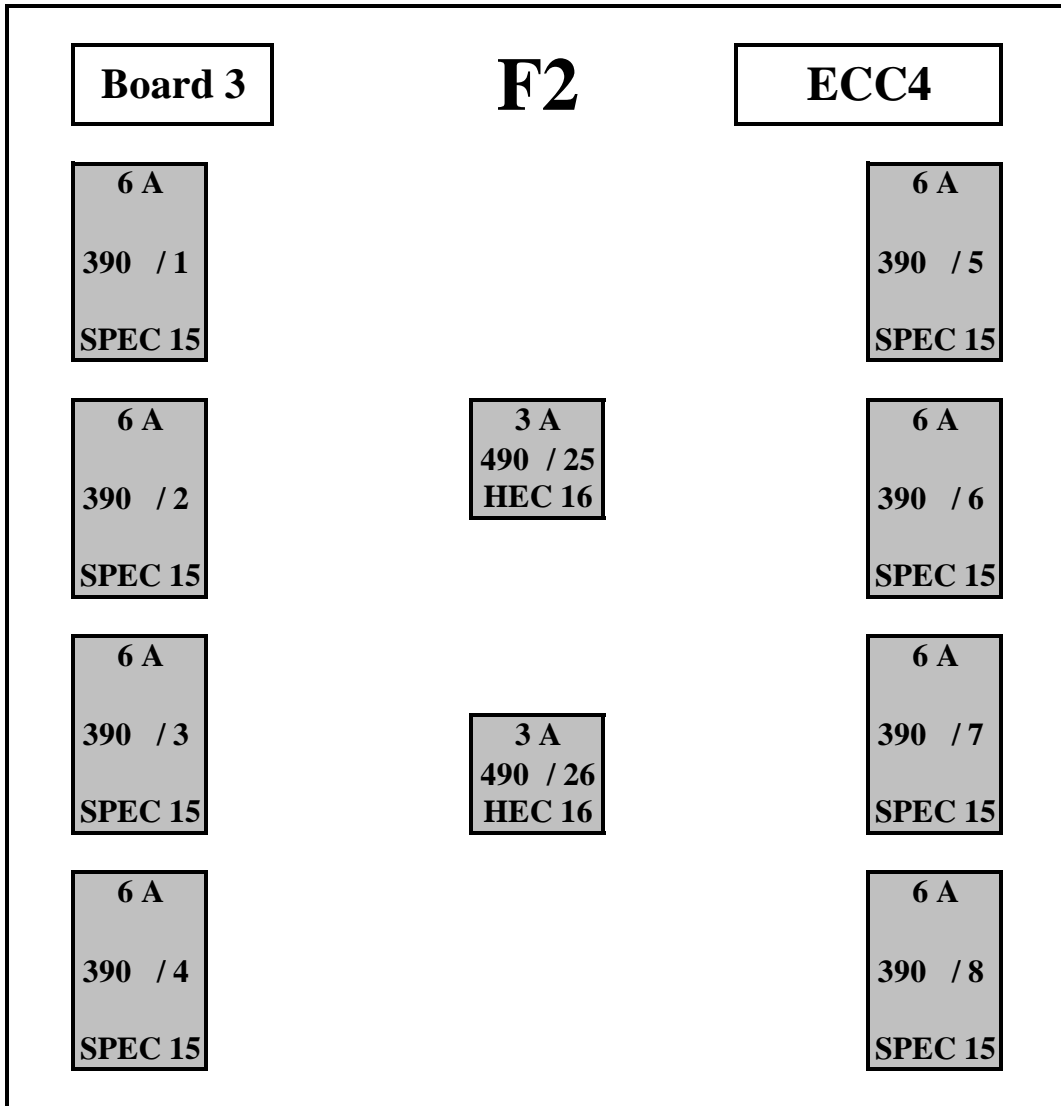
Harness :	5 A	2261	Only this board
------------------	------------	-------------	------------------------

Harness :	3 A	2400	Calibration
------------------	------------	-------------	--------------------



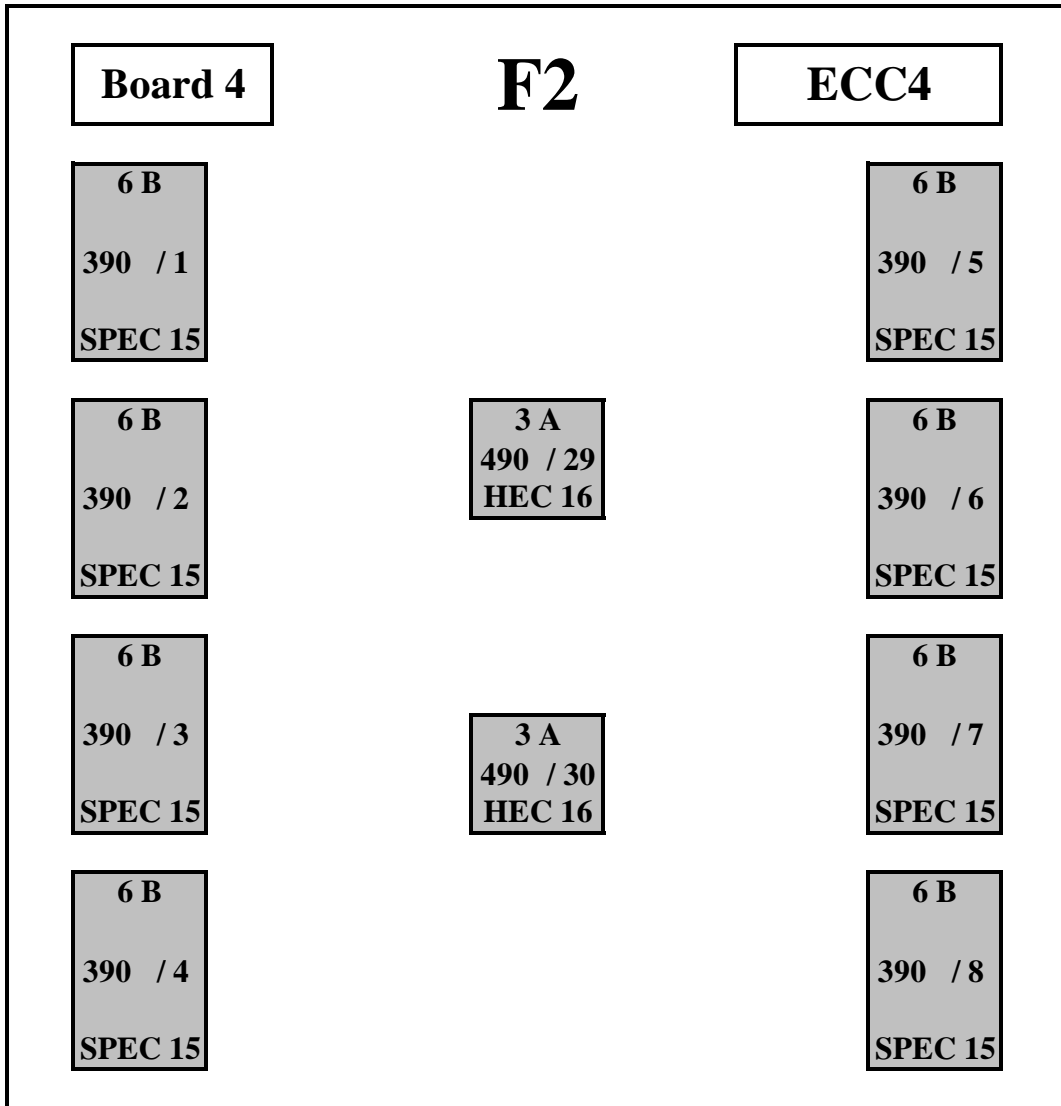
Harness :	5 B	2262	Only this board
------------------	------------	-------------	------------------------

Harness :	3 A	2400	Calibration
------------------	------------	-------------	--------------------



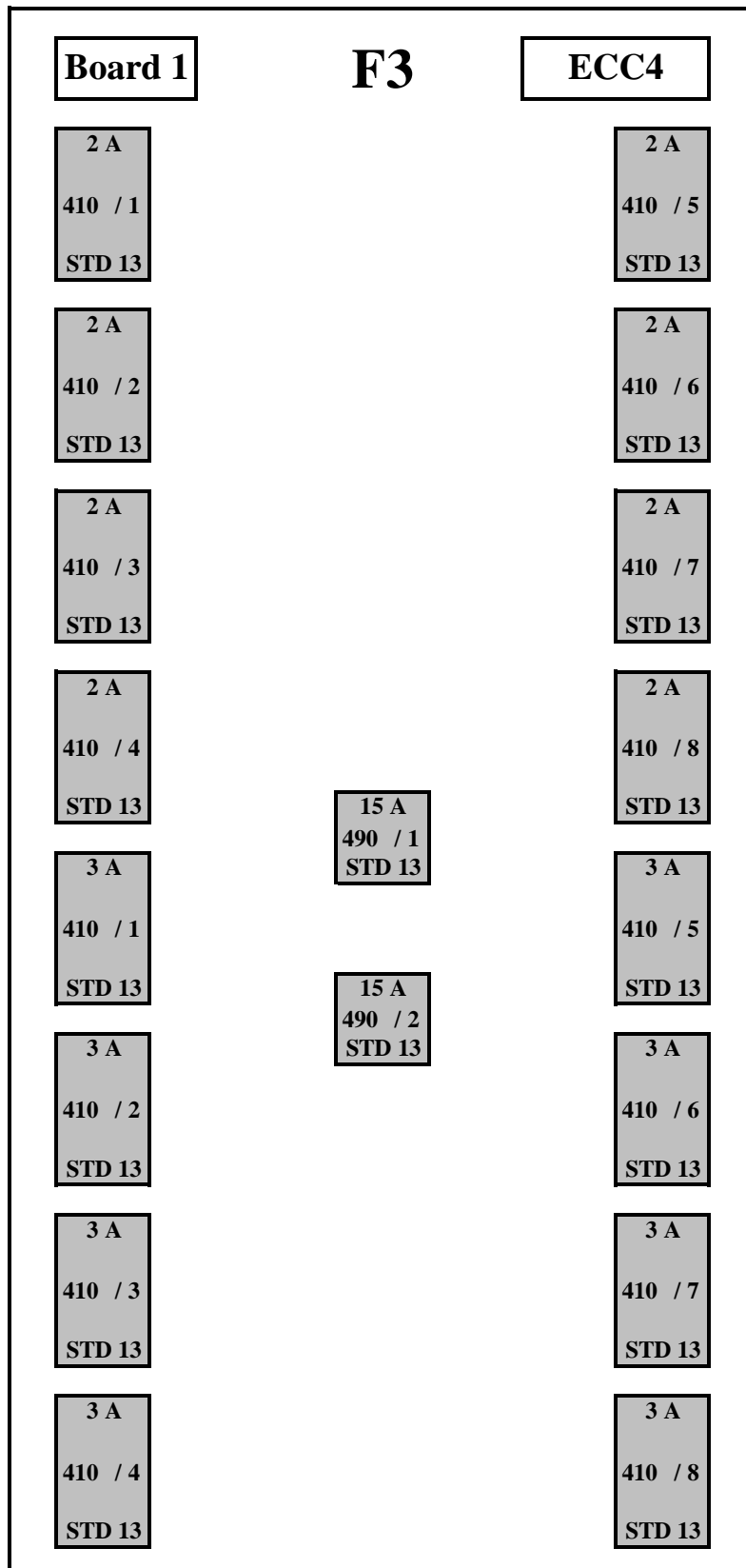
Harness :	6 A	1901	Only this board
------------------	------------	-------------	------------------------

Harness :	3 A	2400	Calibration
------------------	------------	-------------	--------------------



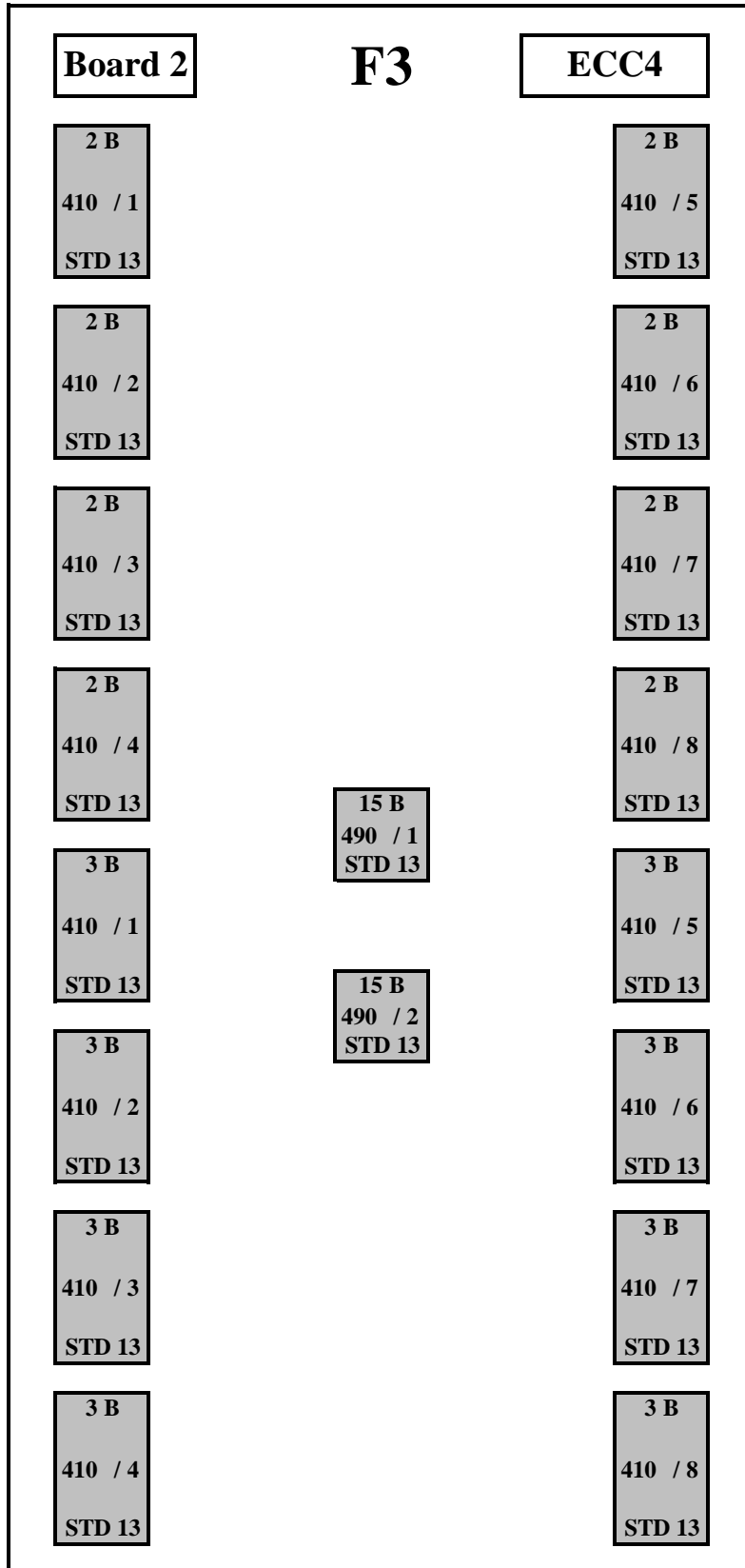
Harness :	6 B	1902	Only this board
------------------	------------	-------------	------------------------

Harness :	3 A	2400	Calibration
------------------	------------	-------------	--------------------



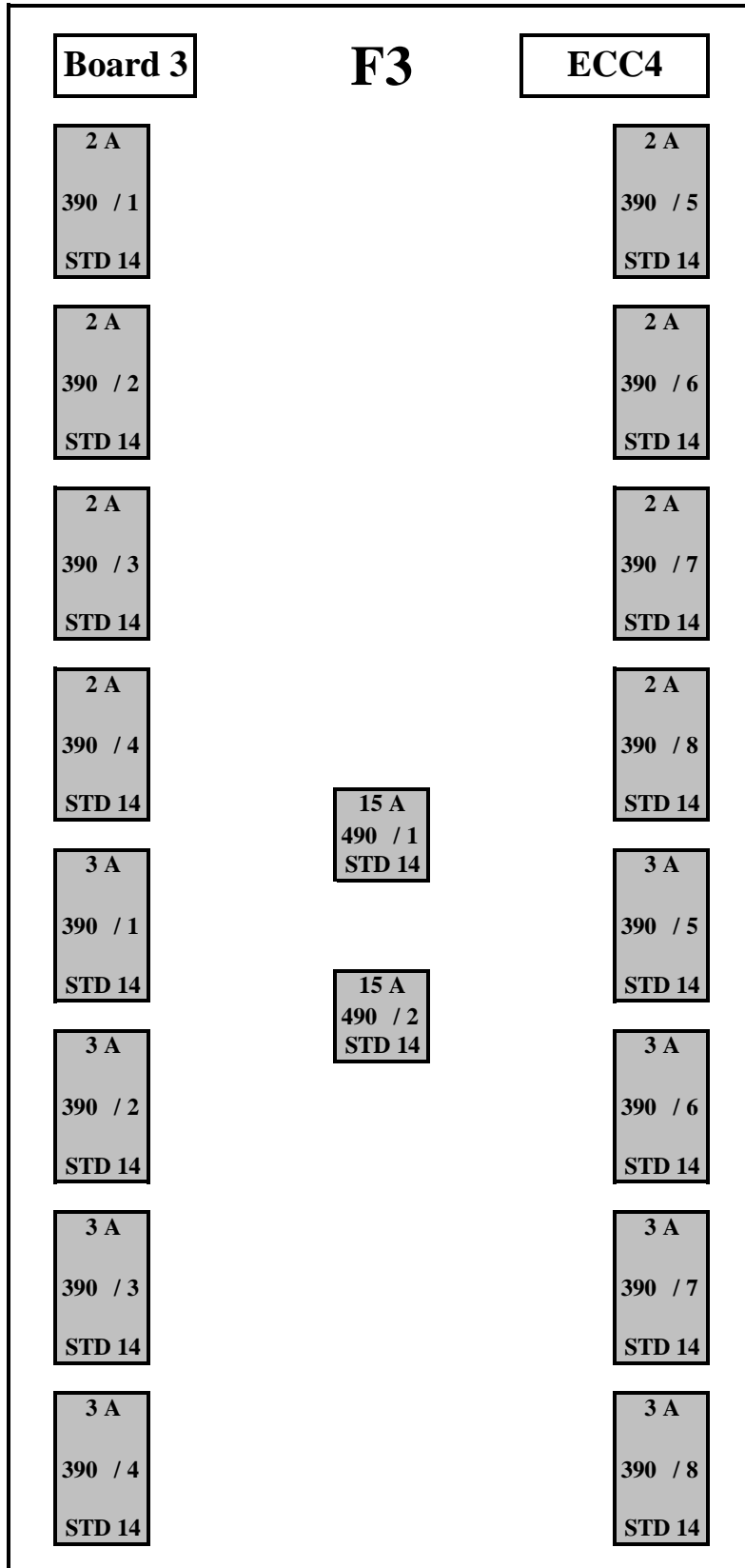
Harness :	2 A	1979	Only this board
Harness :	3 A	1980	Only this board

Harness :	15 A	2407	Calibration
------------------	------	------	--------------------



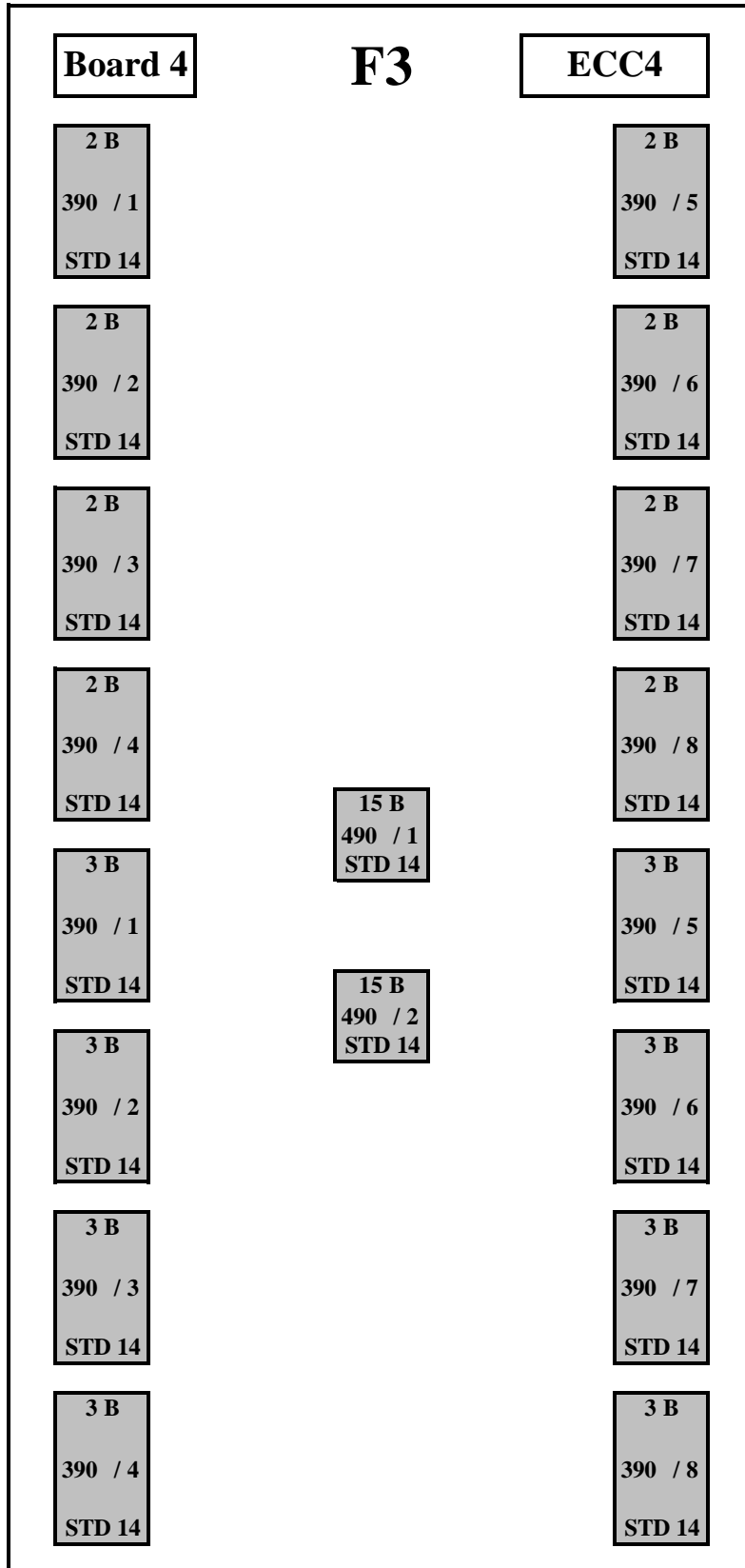
Harness :	2 B	1981	Only this board
Harness :	3 B	1982	Only this board

Harness :	15 B	2398	Calibration
------------------	-------------	-------------	--------------------



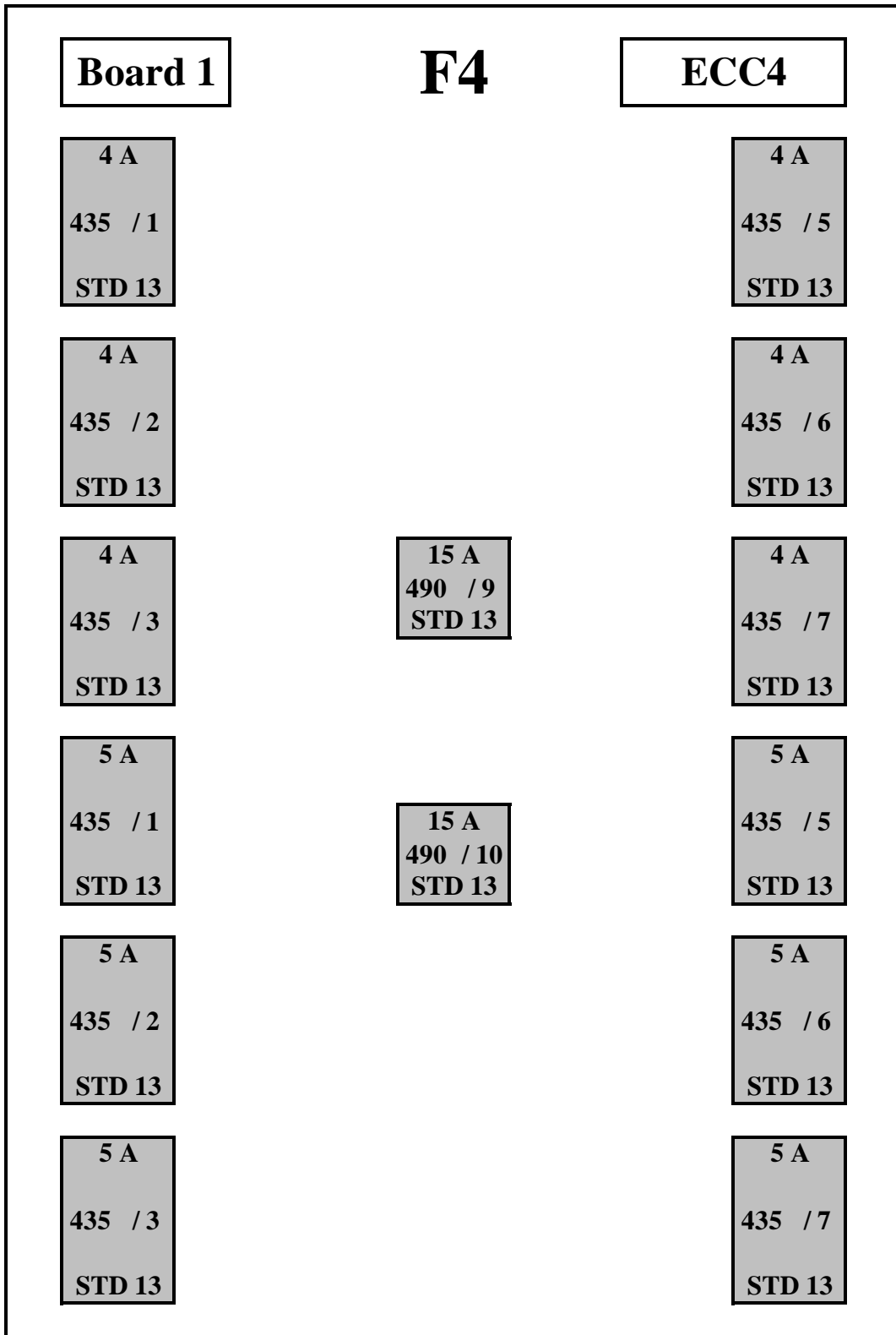
Harness :	2 A	1897	Only this board
Harness :	3 A	1898	Only this board

Harness :	15 A	2366	Calibration
------------------	------	------	--------------------



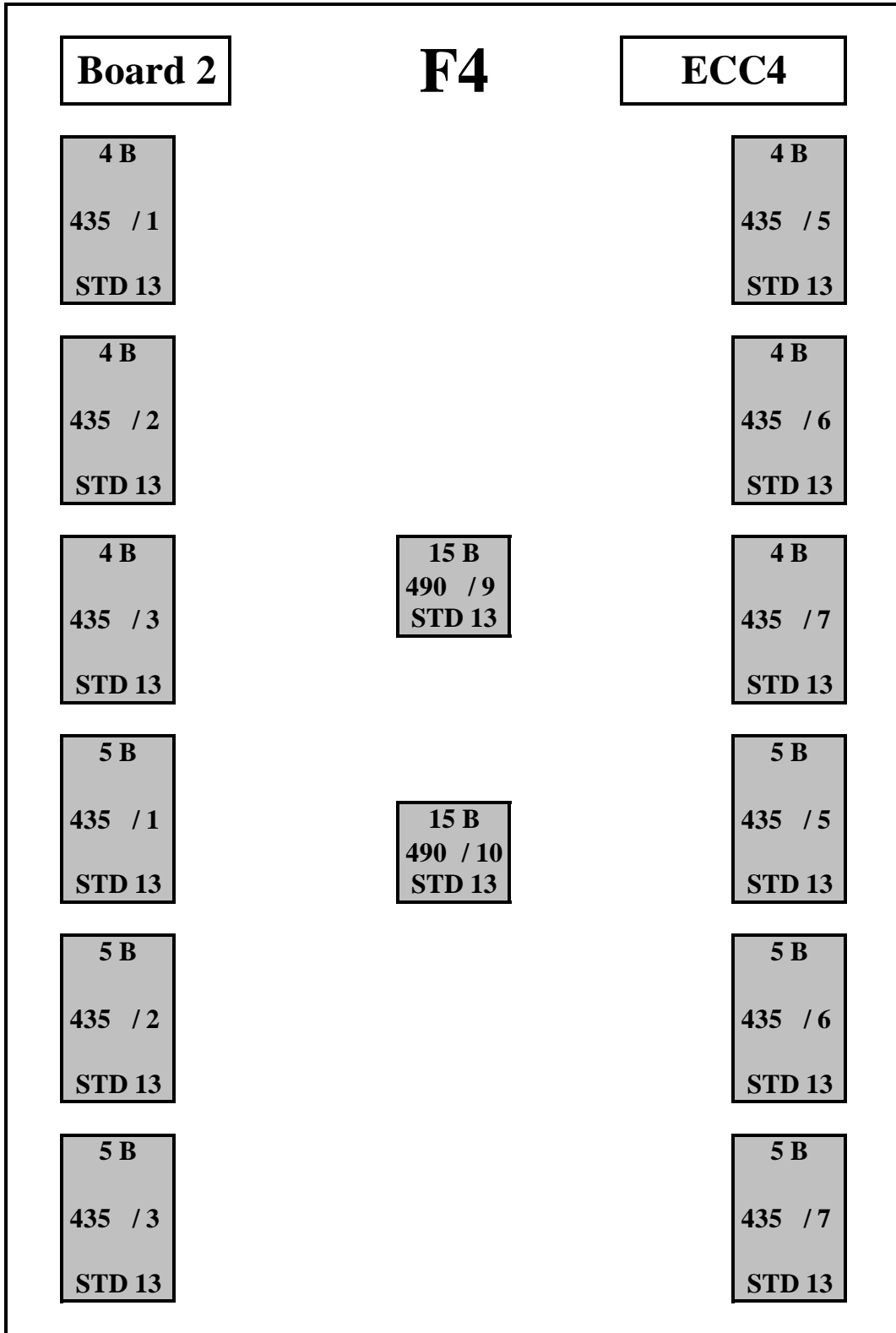
Harness :	2 B	1899	Only this board
Harness :	3 B	1900	Only this board

Harness :	15 B	2399	Calibration
------------------	-------------	-------------	--------------------



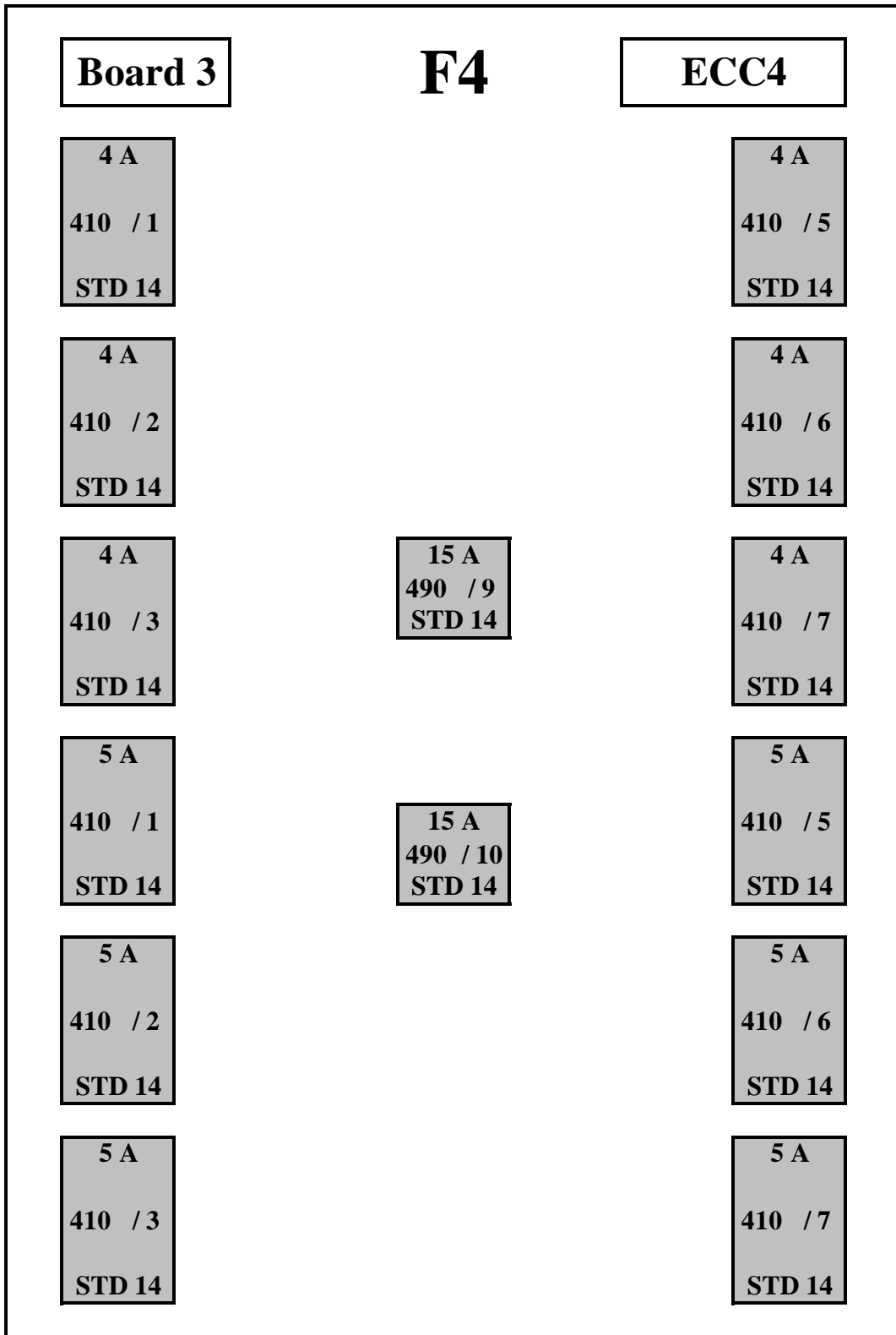
Harness :	4 A	2171	Only this board
Harness :	5 A	2172	Only this board

Harness :	15 A	2407	Calibration
------------------	-------------	-------------	--------------------



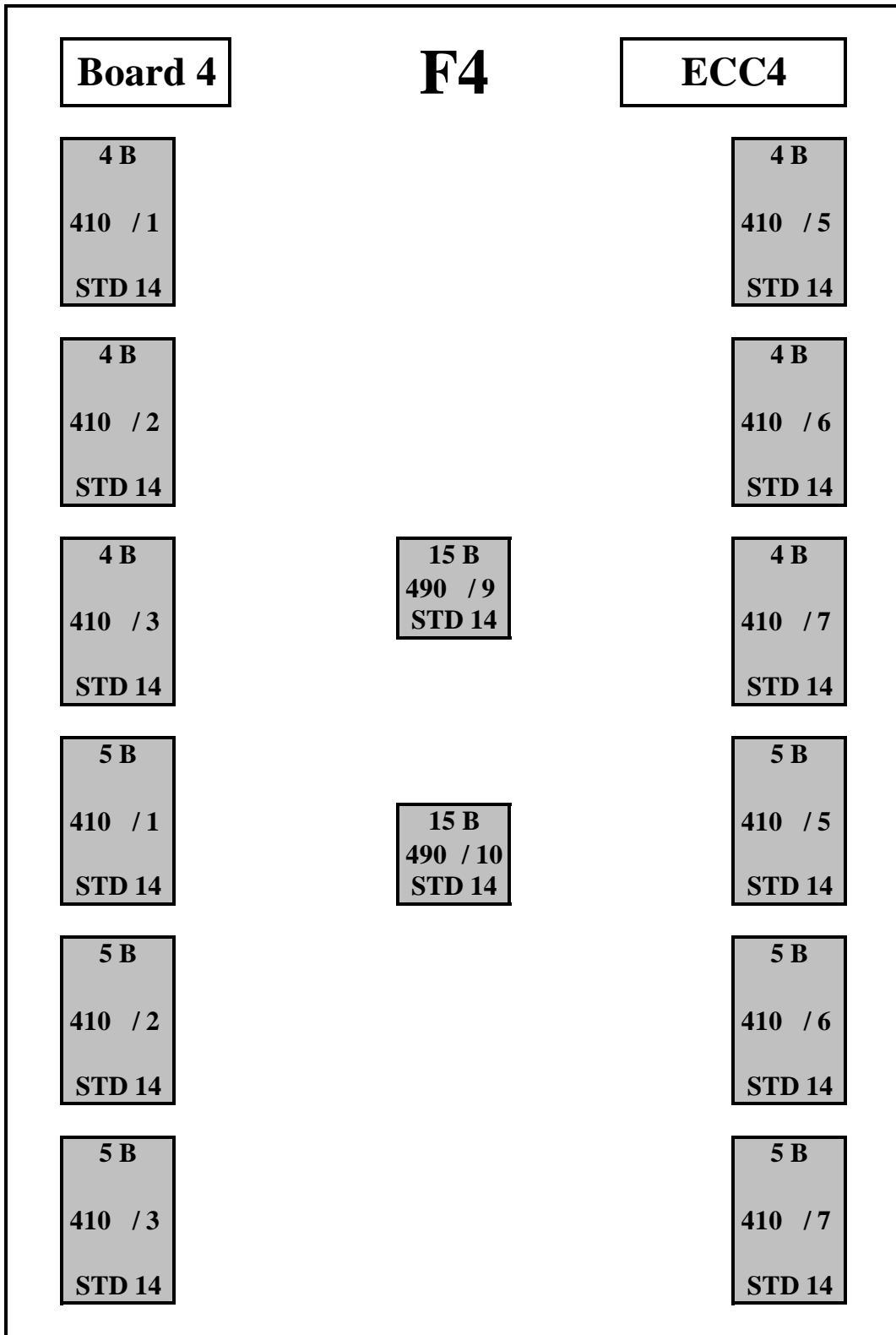
Harness :	4 B	2173	Only this board
Harness :	5 B	2174	Only this board

Harness :	15 B	2398	Calibration
------------------	-------------	-------------	--------------------



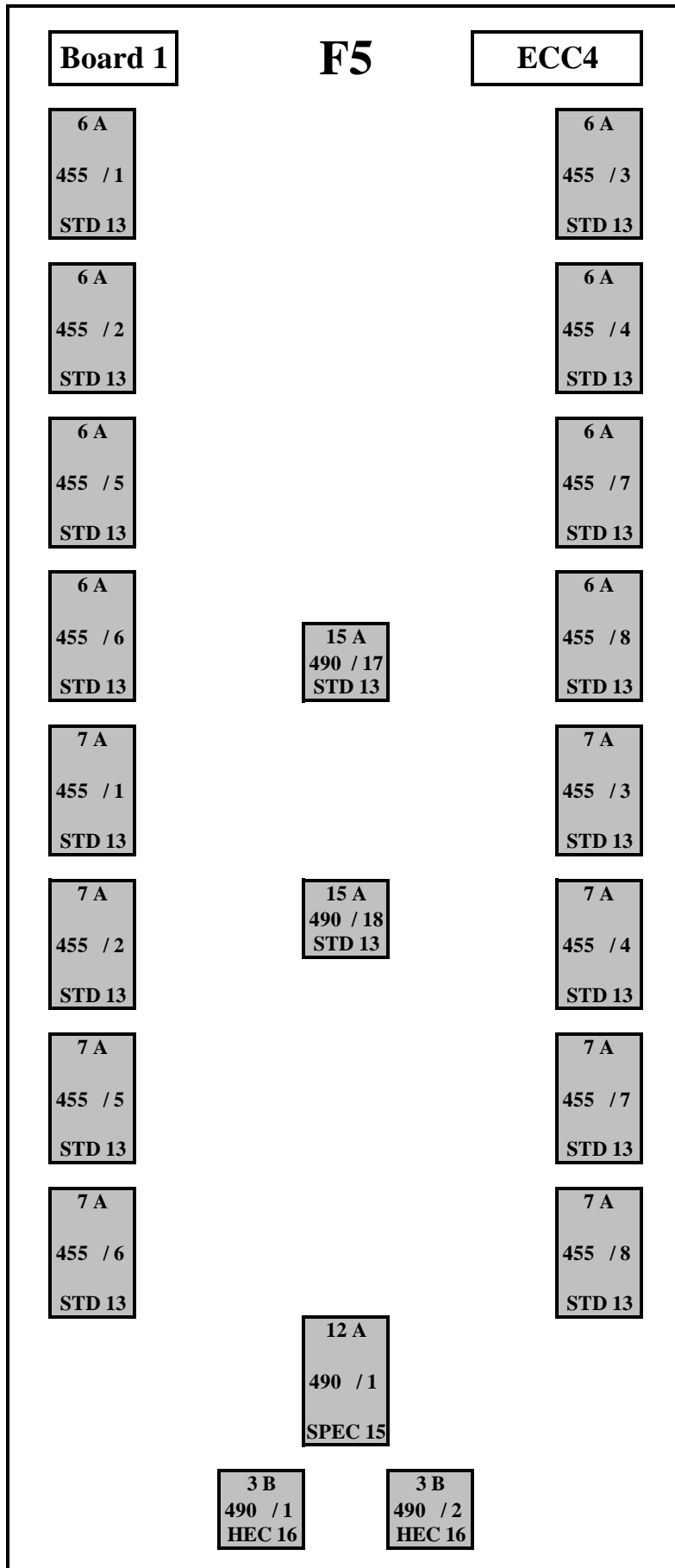
Harness :	4 A	1983	Only this board
Harness :	5 A	1984	Only this board

Harness :	15 A	2366	Calibration
------------------	-------------	-------------	--------------------



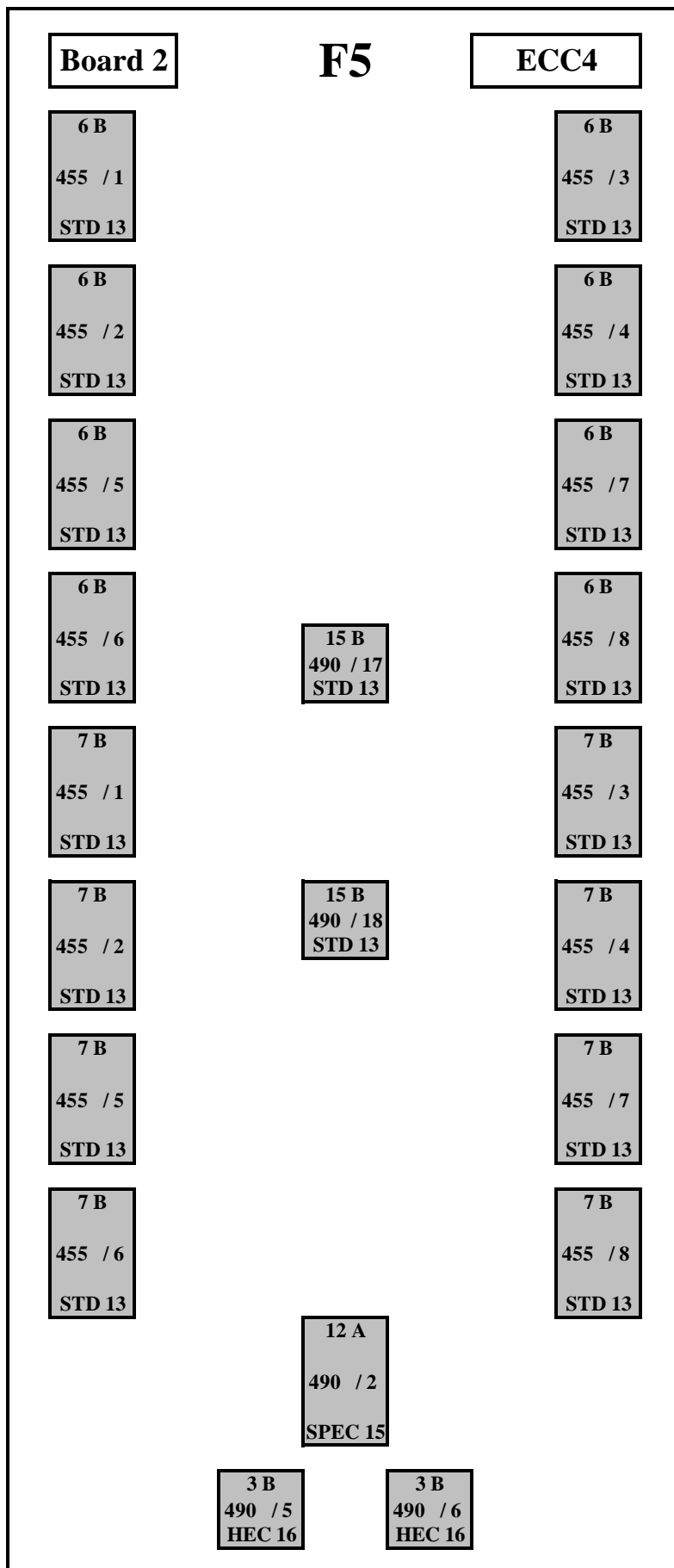
Harness :	4 B	1985	Only this board
Harness :	5 B	1986	Only this board

Harness :	15 B	2399	Calibration
------------------	-------------	-------------	--------------------



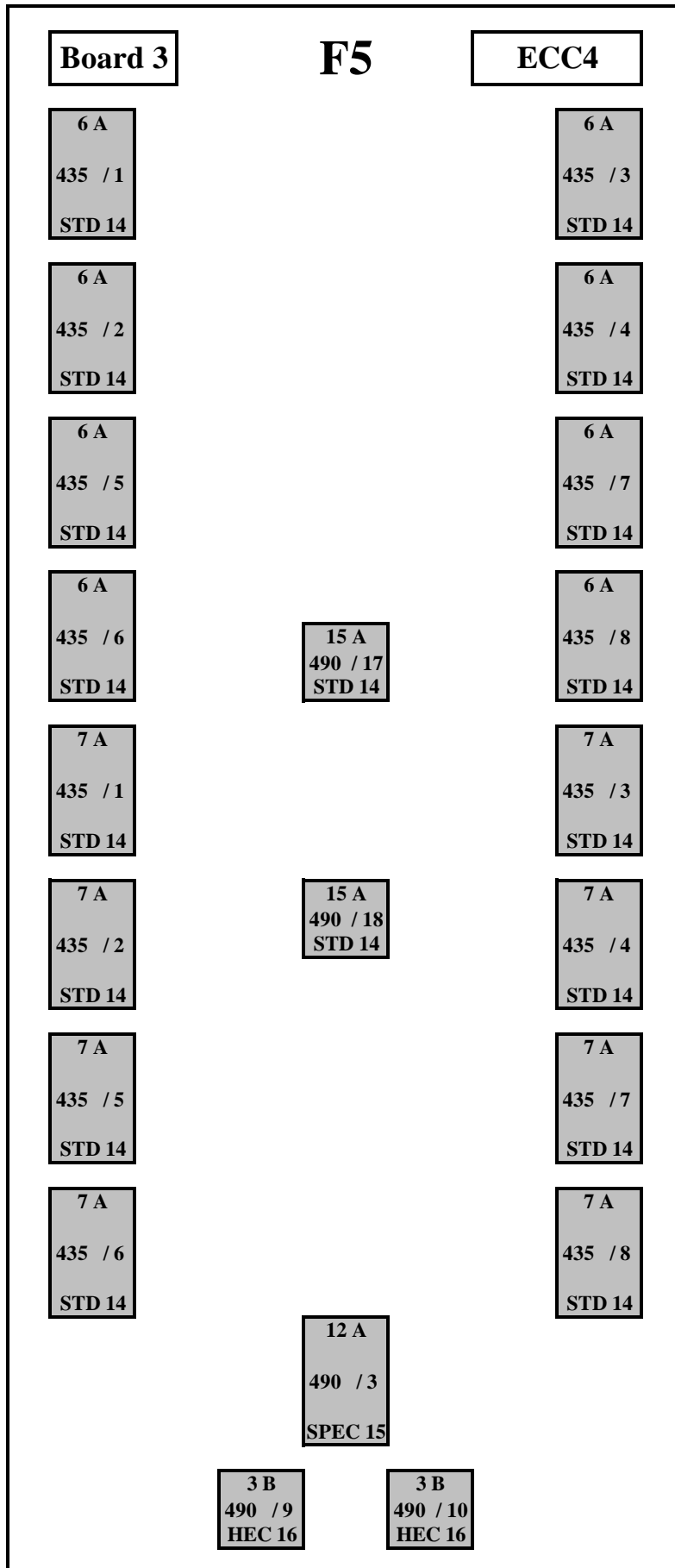
Harness :	6 A	2257	Only this board
Harness :	7 A	2258	Only this board
Harness :	12 A	2341	F5_1, F5_2, F5_3 and F5_4

Harness :	15 A	2407	Calibration
Harness :	3 B	2401	Calibration



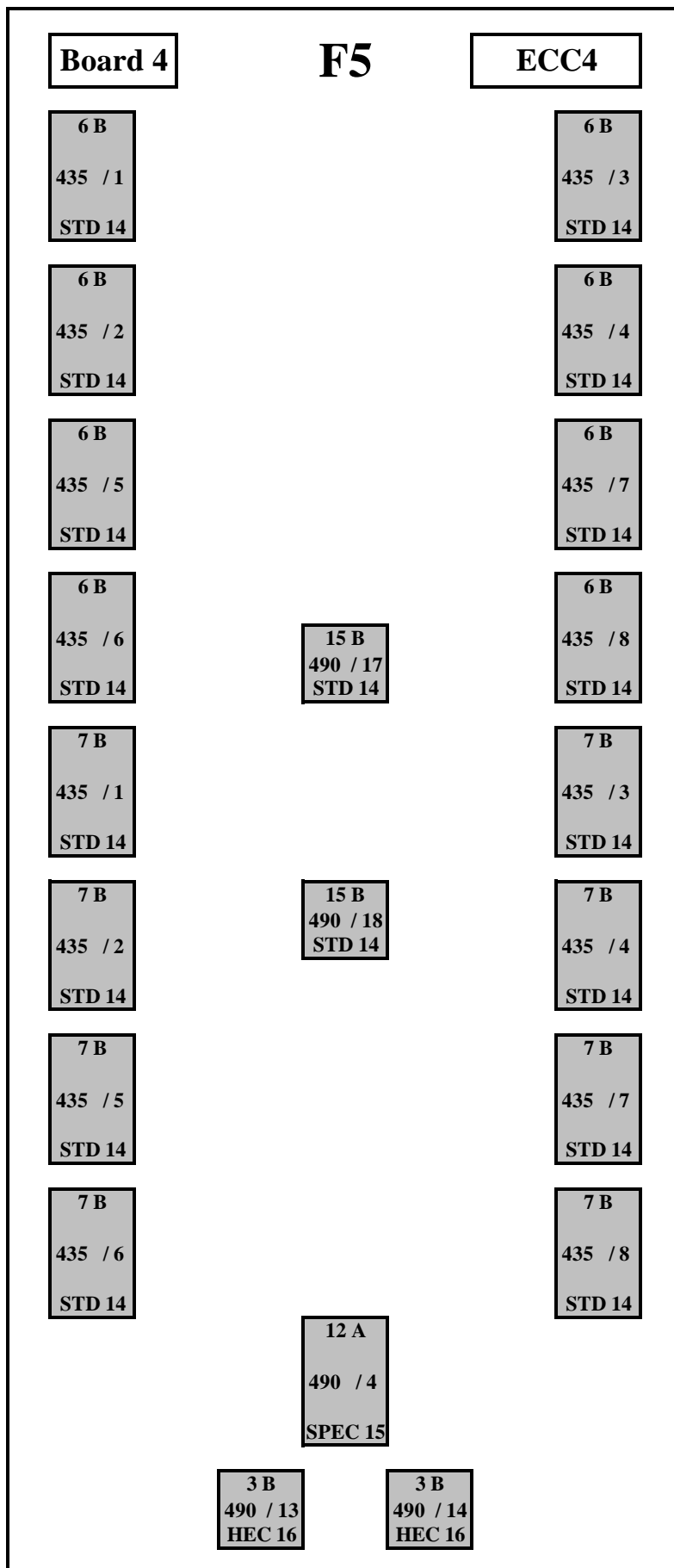
Harness :	6 B	2259	Only this board
Harness :	7 B	2260	Only this board
Harness :	12 A	2341	F5_1, F5_2, F5_3 and F5_4

Harness :	15 B	2398	Calibration
Harness :	3 B	2401	Calibration



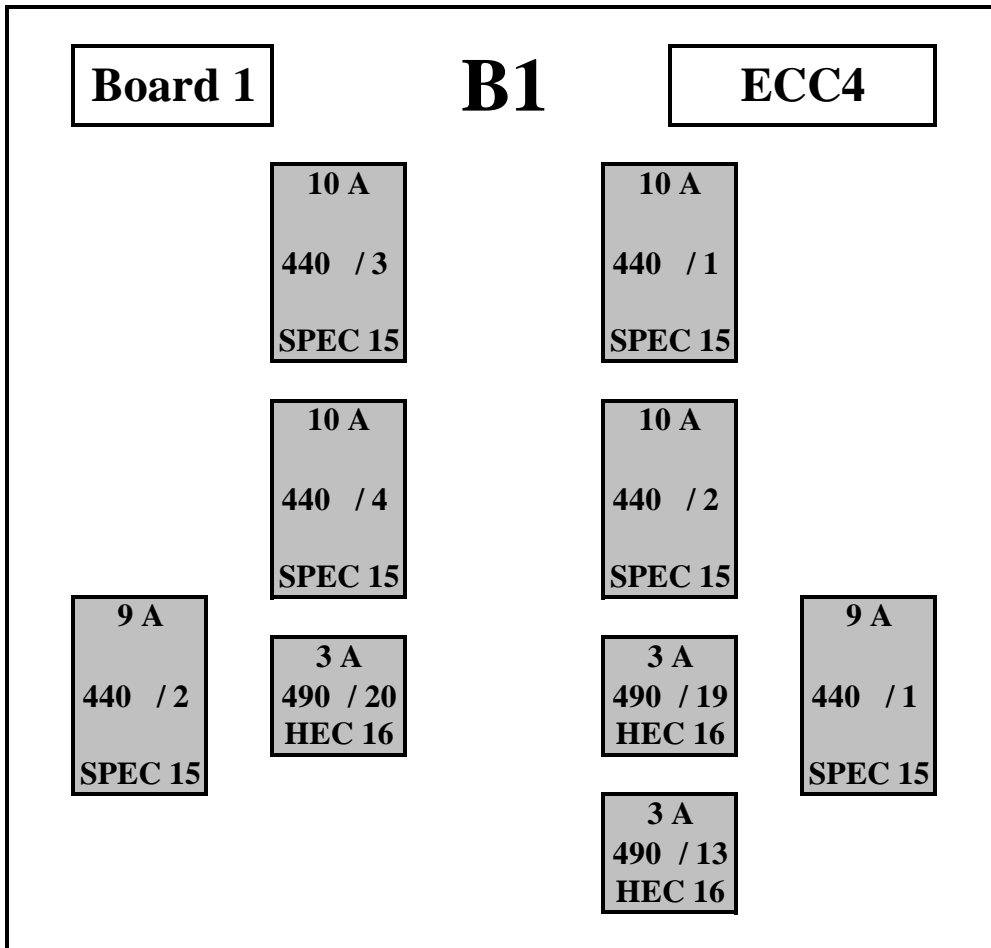
Harness :	6 A	2164	Only this board
Harness :	7 A	2167	Only this board
Harness :	12 A	2341	F5_1, F5_2, F5_3 and F5_4

Harness :	15 A	2366	Calibration
Harness :	3 B	2401	Calibration



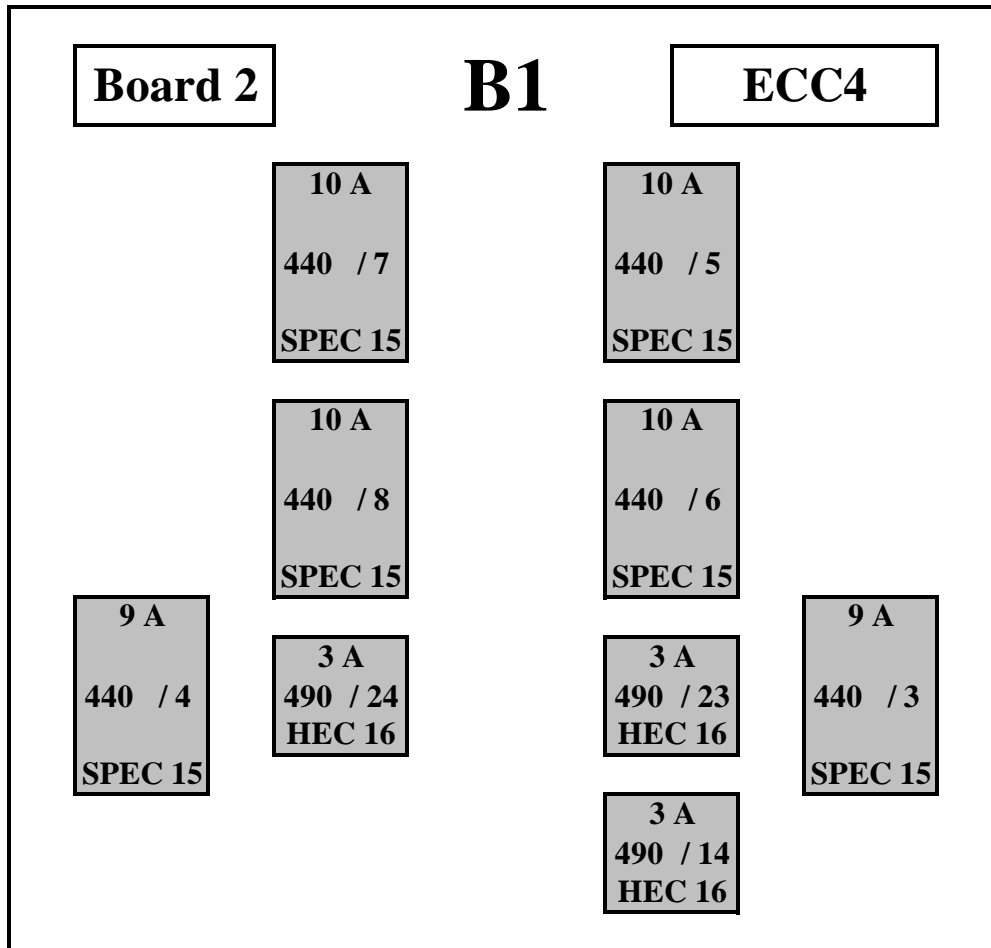
Harness :	6 B	2169	Only this board
Harness :	7 B	2170	Only this board
Harness :	12 A	2341	F5_1, F5_2, F5_3 and F5_4

Harness :	15 B	2399	Calibration
Harness :	3 B	2401	Calibration



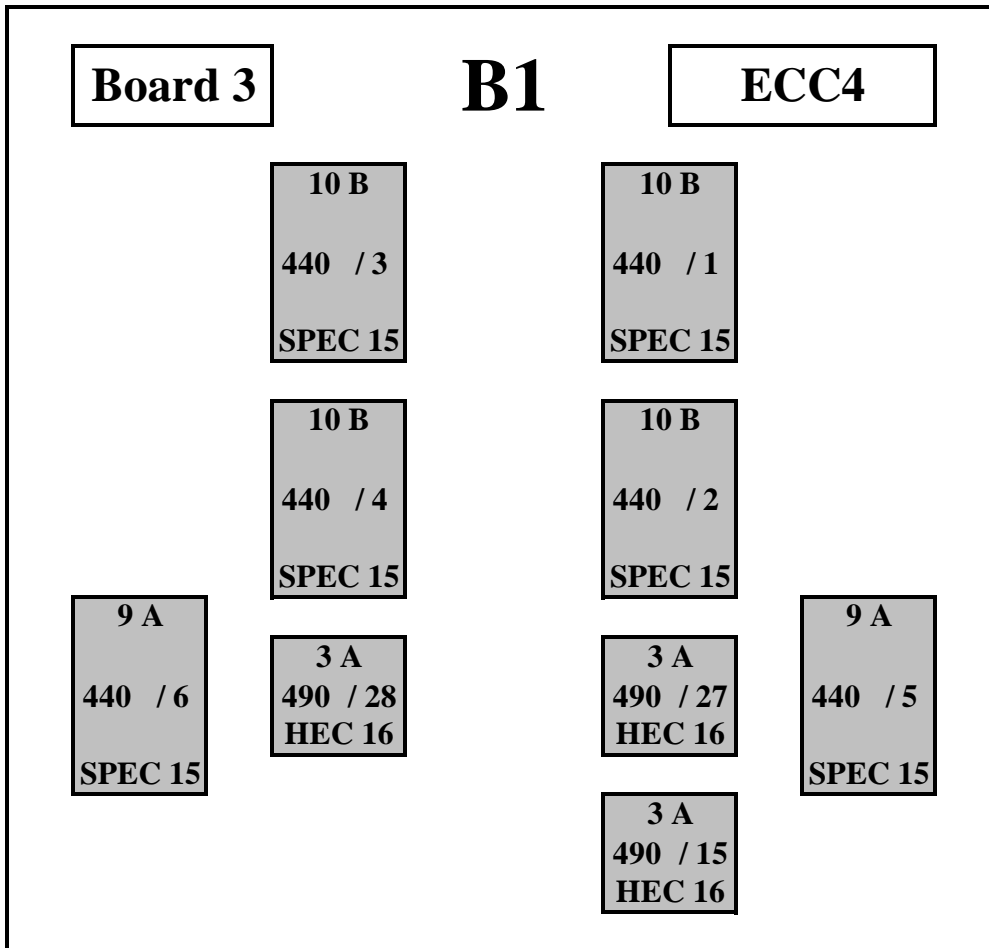
Harness :	10 A	2982	B1_1 and B1_2
Harness :	9 A	2981	B1-1, B1-2, B1_3, B1_4

Harness :	3 A	2400	Calibration
------------------	------------	-------------	--------------------



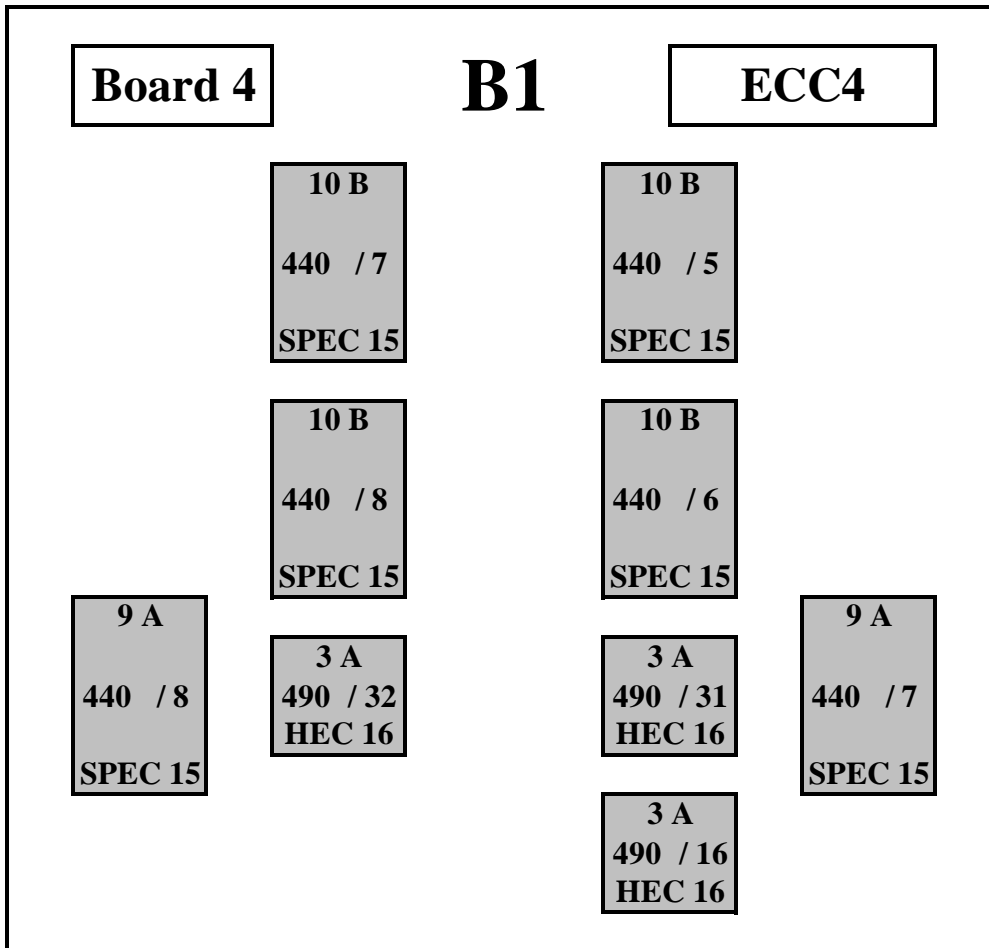
Harness :	10 A	2982	B1_1 and B1_2
Harness :	9 A	2981	B1-1, B1-2, B1_3, B1_4

Harness :	3 A	2400	Calibration
-----------	-----	------	-------------



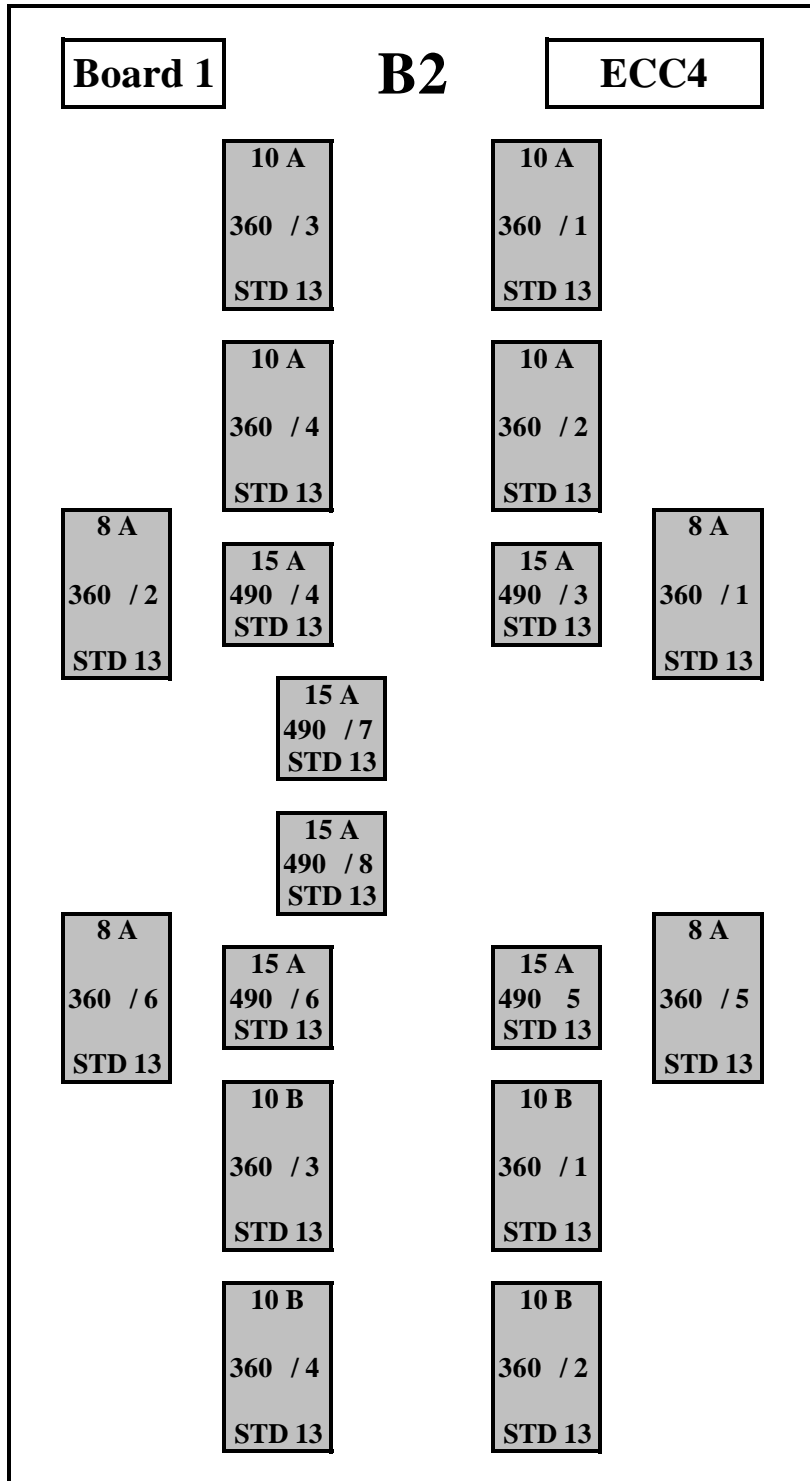
Harness :	10 B	2999	B1_3 and B1_4
Harness :	9 A	2981	B1-1, B1-2, B1_3, B1_4

Harness :	3 A	2400	Calibration
------------------	------------	-------------	--------------------



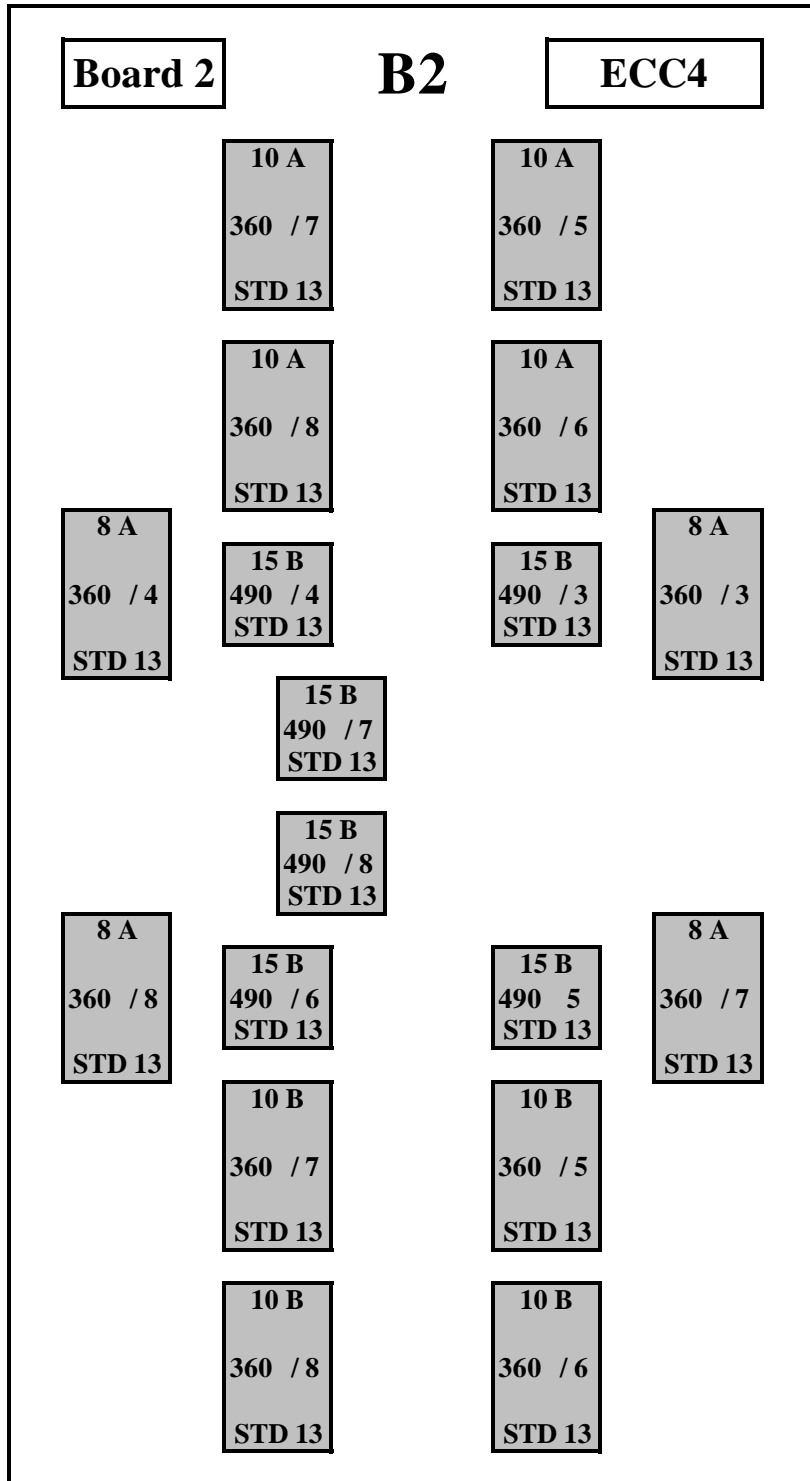
Harness :	10 B	2999	B1_3 and B1_4
Harness :	9 A	2981	B1-1, B1-2, B1_3, B1_4

Harness :	3 A	2400	Calibration
------------------	------------	-------------	--------------------



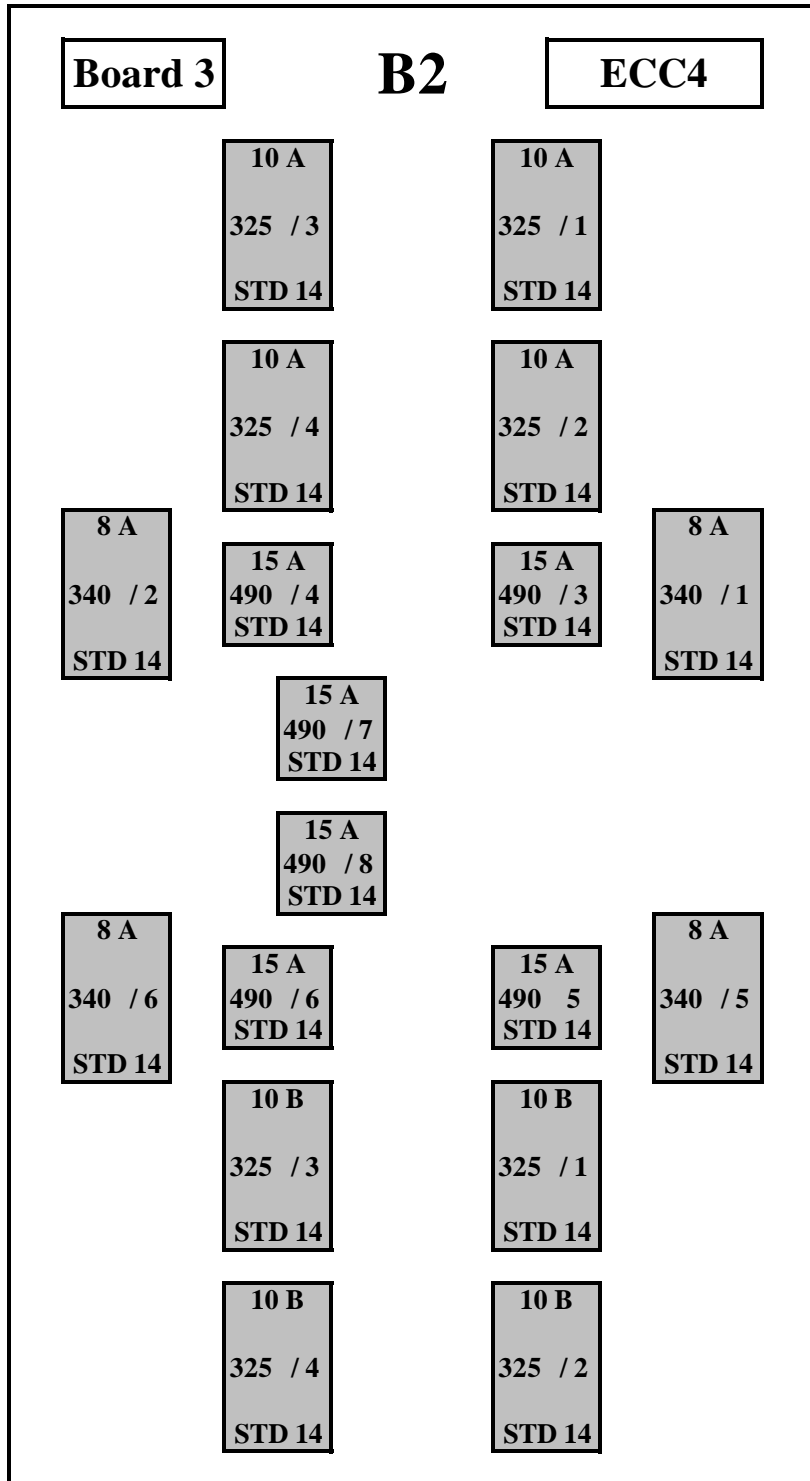
Harness :	10 A	2699	B2_1 and B2_2
Harness :	10 B	2702	B2_1 and B2_2
Harness :	8 A	2698	B2_1 and B2_2

Harness :	15 A	2407	Calibration
------------------	-------------	-------------	--------------------



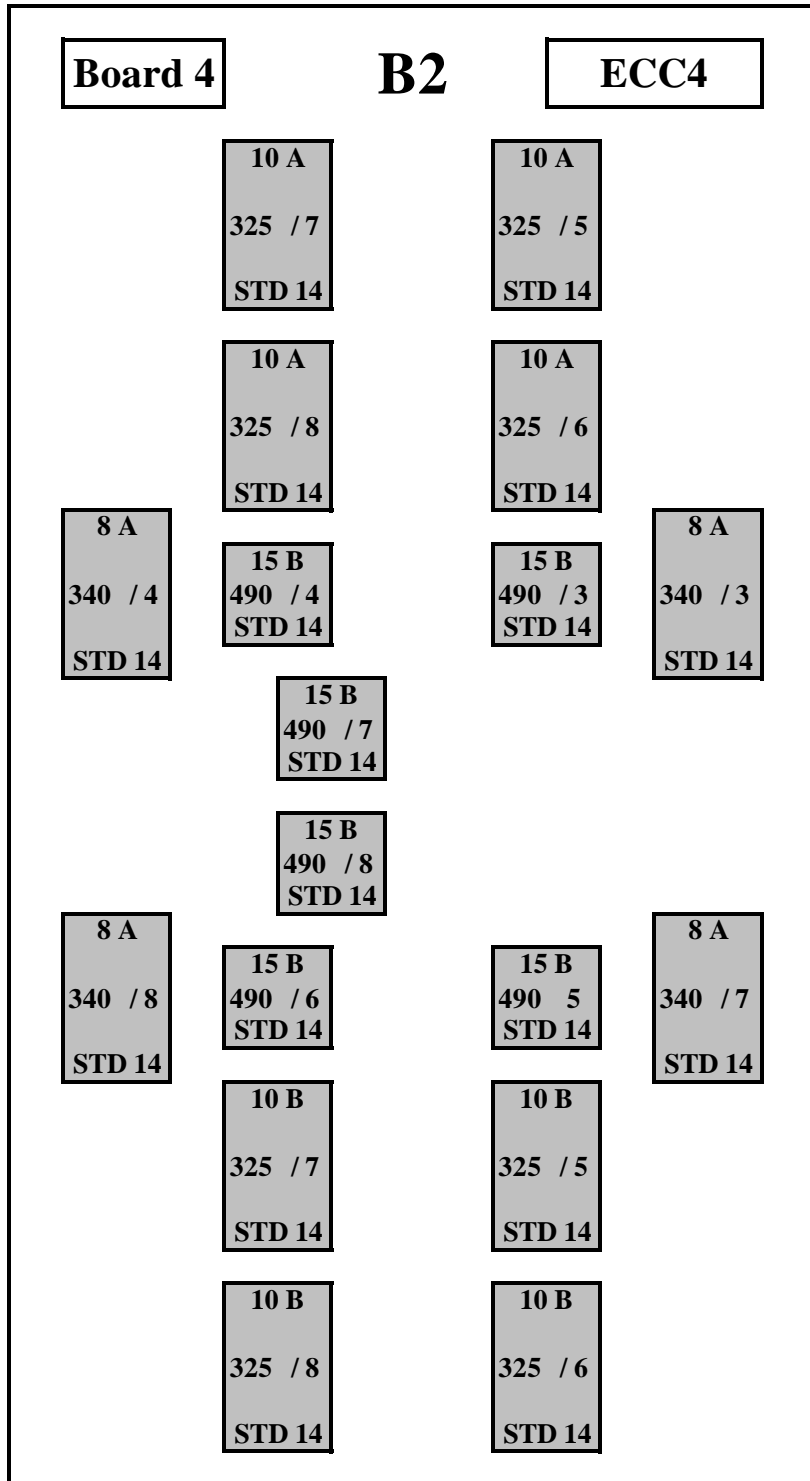
Harness :	10 A	2699	B2_1 and B2_2
Harness :	10 B	2702	B2_1 and B2_2
Harness :	8 A	2698	B2_1 and B2_2

Harness :	15 B	2398	Calibration
------------------	-------------	-------------	--------------------



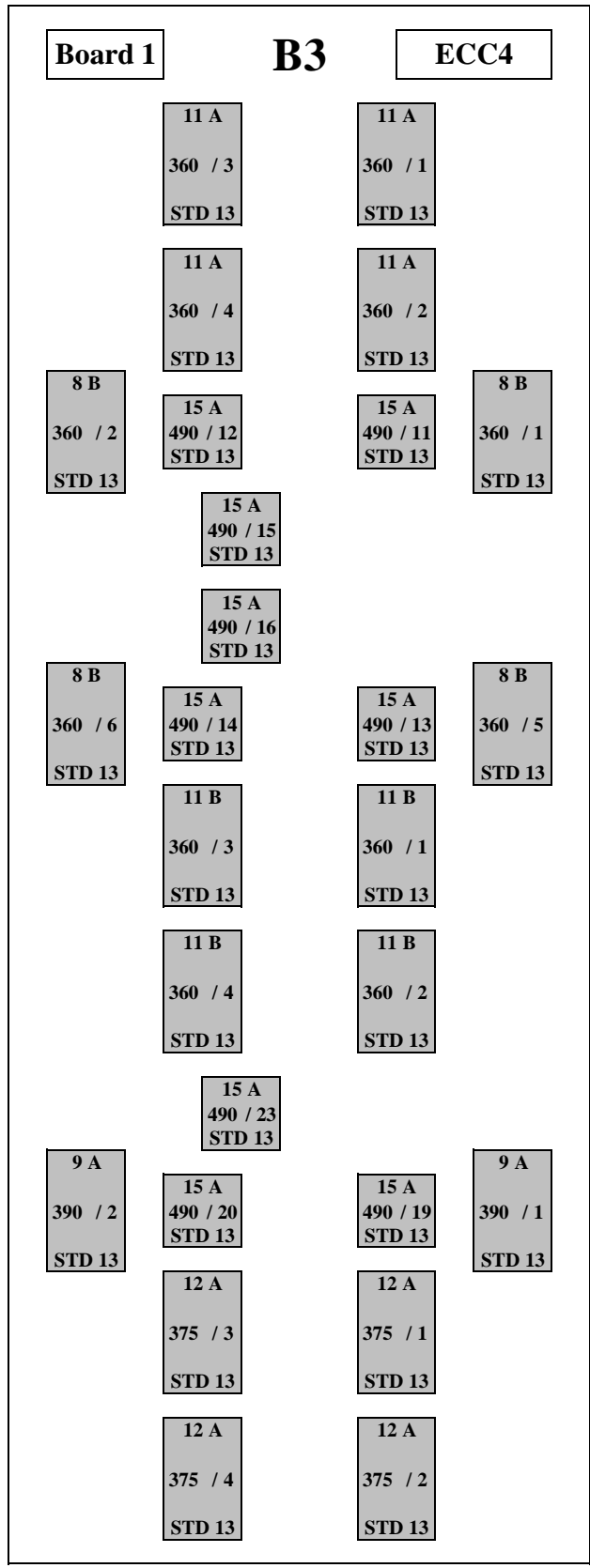
Harness :	10 A	2547	B2_3 and B2_4
Harness :	10 B	2548	B2_3 and B2_4
Harness :	8 A	2590	B2_3 and B2_4

Harness :	15 A	2366	Calibration
------------------	-------------	-------------	--------------------

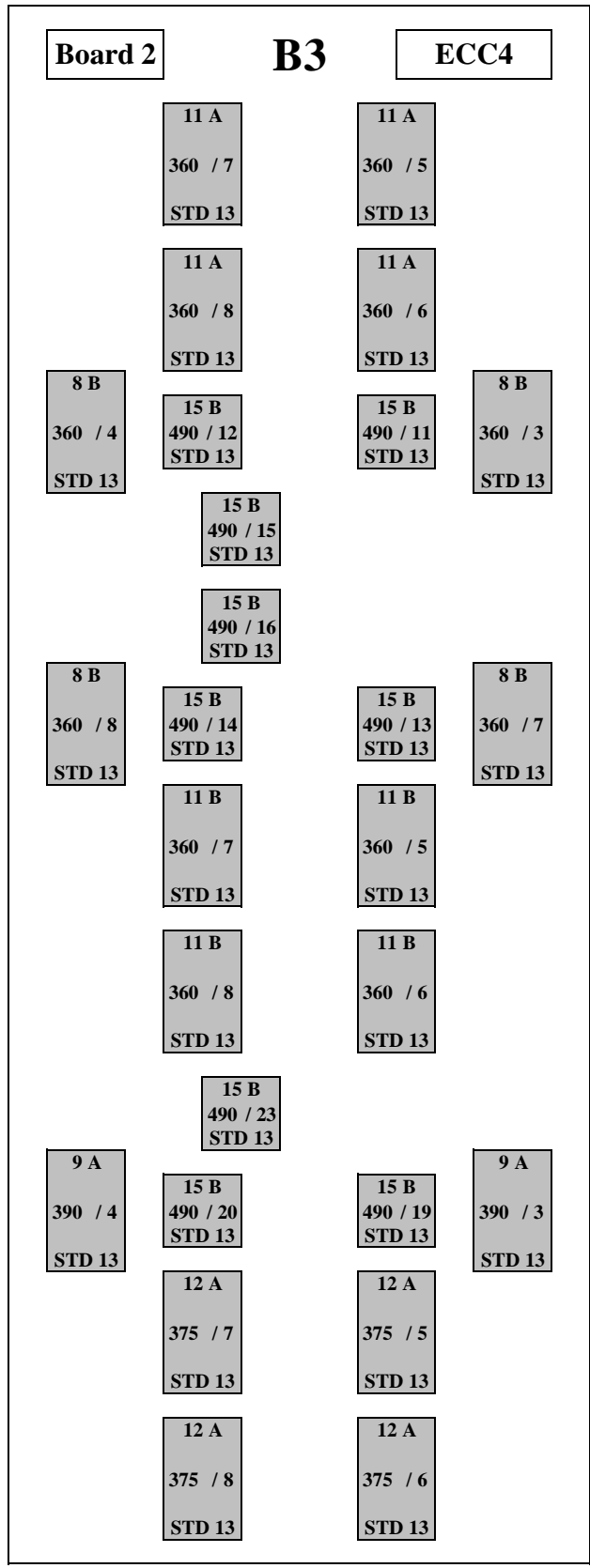


Harness :	10 A	2547	B2_3 and B2_4
Harness :	10 B	2548	B2_3 and B2_4
Harness :	8 A	2590	B2_3 and B2_4

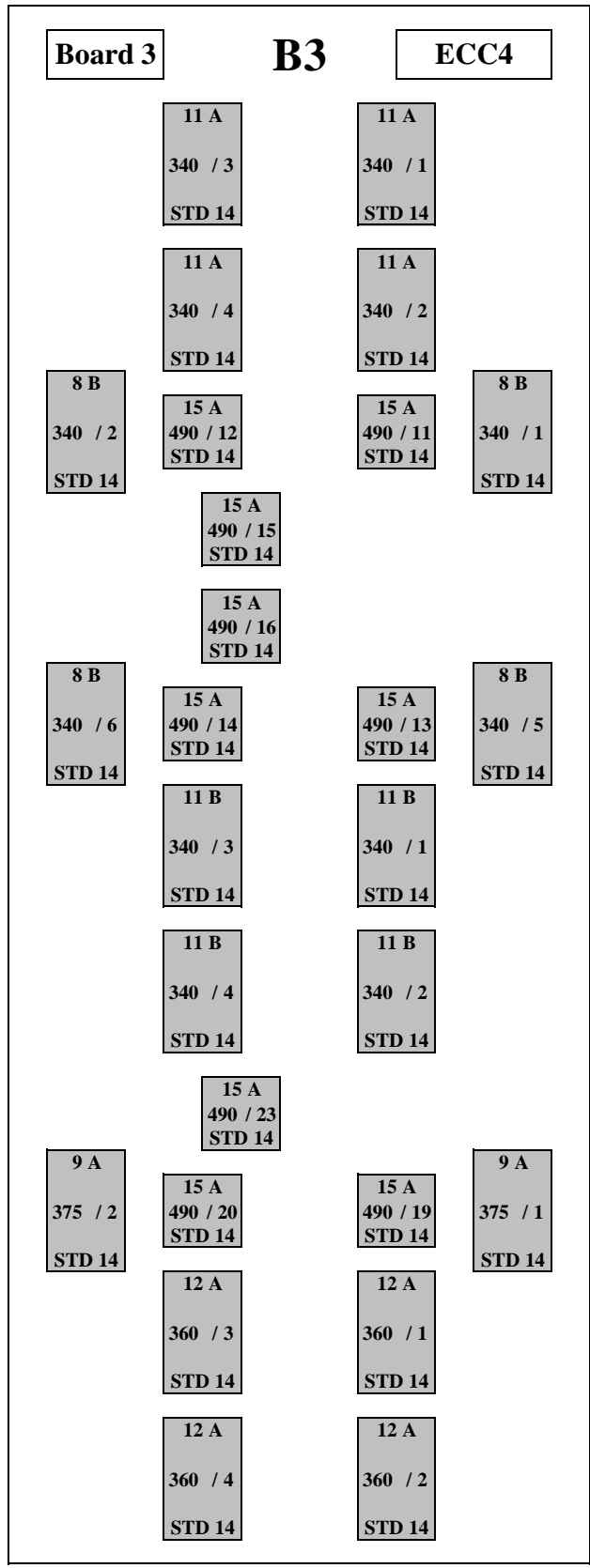
Harness :	15 B	2399	Calibration
------------------	-------------	-------------	--------------------



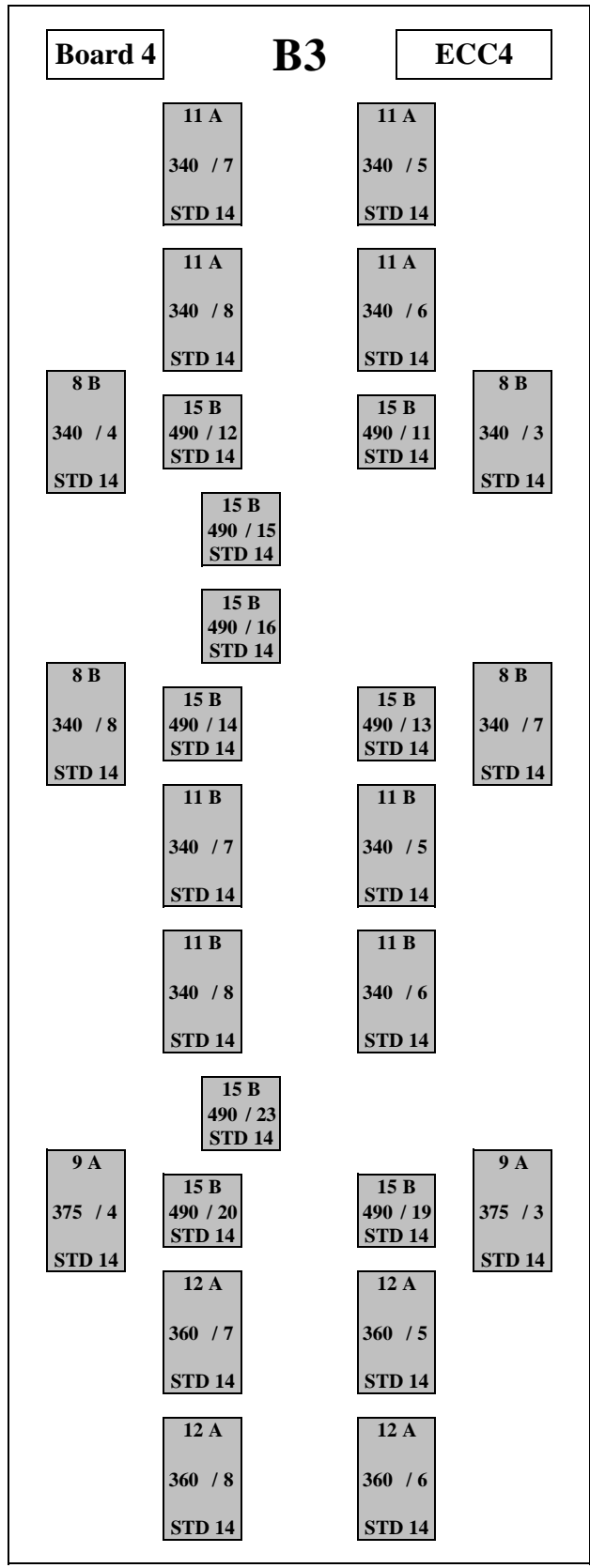
Harness :	11 A	2700	B3_1 and B3_2
Harness :	11 B	2703	B3_1 and B3_2
Harness :	12 A	2781	B3_1 and B3_2
Harness :	8 B	2701	B3_1 and B3_2
Harness :	9 A	2895	B3_1 - B3_2 & B4_1 - B4_2
Harness :	15 A	2407	Calibration



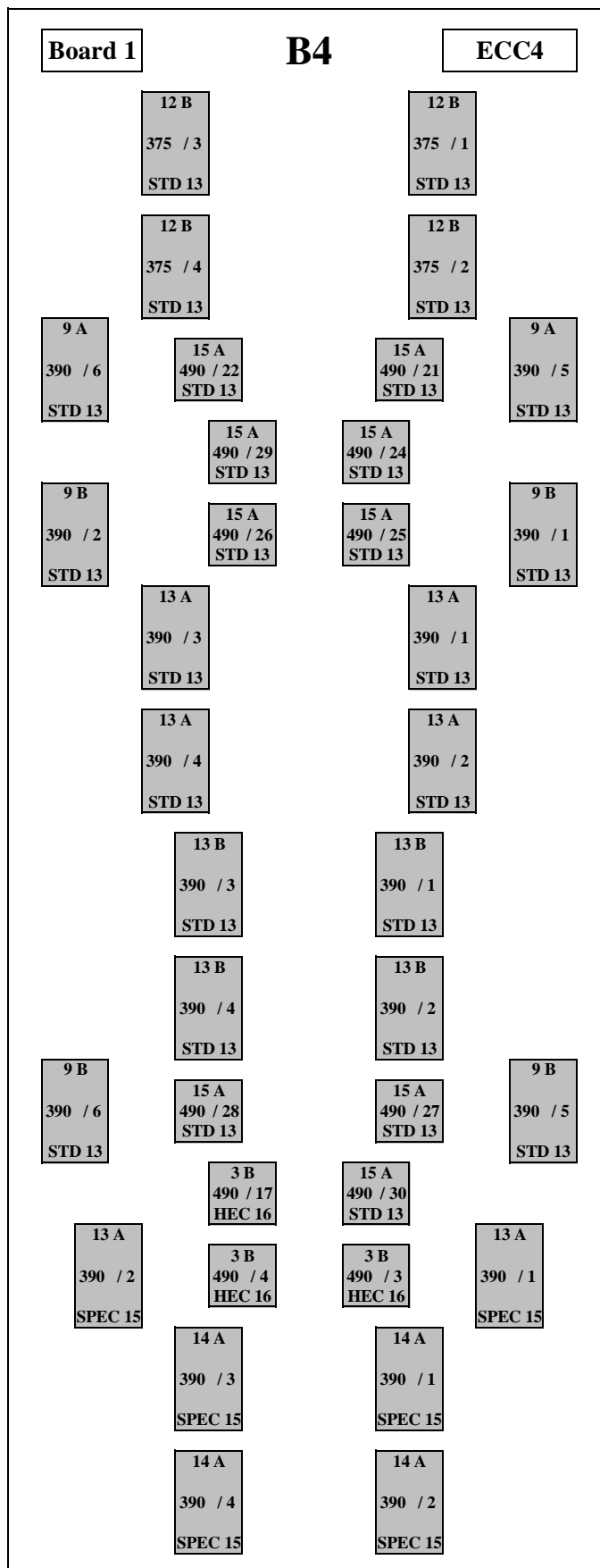
Harness :	11 A	2700	B3_3 and B3_4
Harness :	11 B	2703	B3_3 and B3_4
Harness :	12 A	2781	B3_3 and B3_4
Harness :	8 B	2701	B3_3 and B3_4
Harness :	9 A	2895	B3_1 - B3_2 & B4_1 - B4_2
Harness :	15 B	2398	Calibration



Harness :	11 A	2591	B3_3 and B3_4
Harness :	11 B	2593	B3_3 and B3_4
Harness :	12 A	2704	B3_3 and B3_4
Harness :	8 B	2592	B3_3 and B3_4
Harness :	9 A	2783	B3_3 - B3_4 & B4_3 - B4_4
Harness :	15 A	2366	Calibration

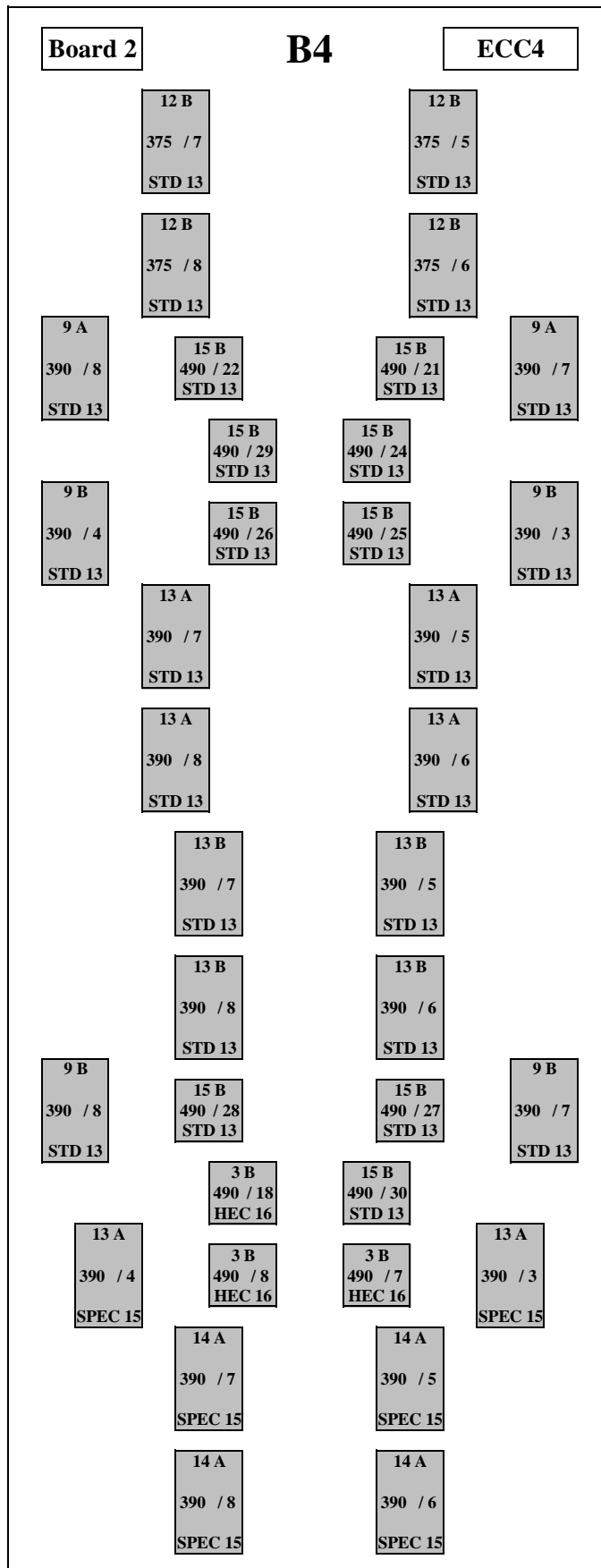


Harness :	11 A	2591	B3_3 and B3_4
Harness :	11 B	2593	B3_3 and B3_4
Harness :	12 A	2704	B3_3 and B3_4
Harness :	8 B	2592	B3_3 and B3_4
Harness :	9 A	2783	B3_3 - B3_4 & B4_3 - B4_4
Harness :	15 B	2399	Calibration



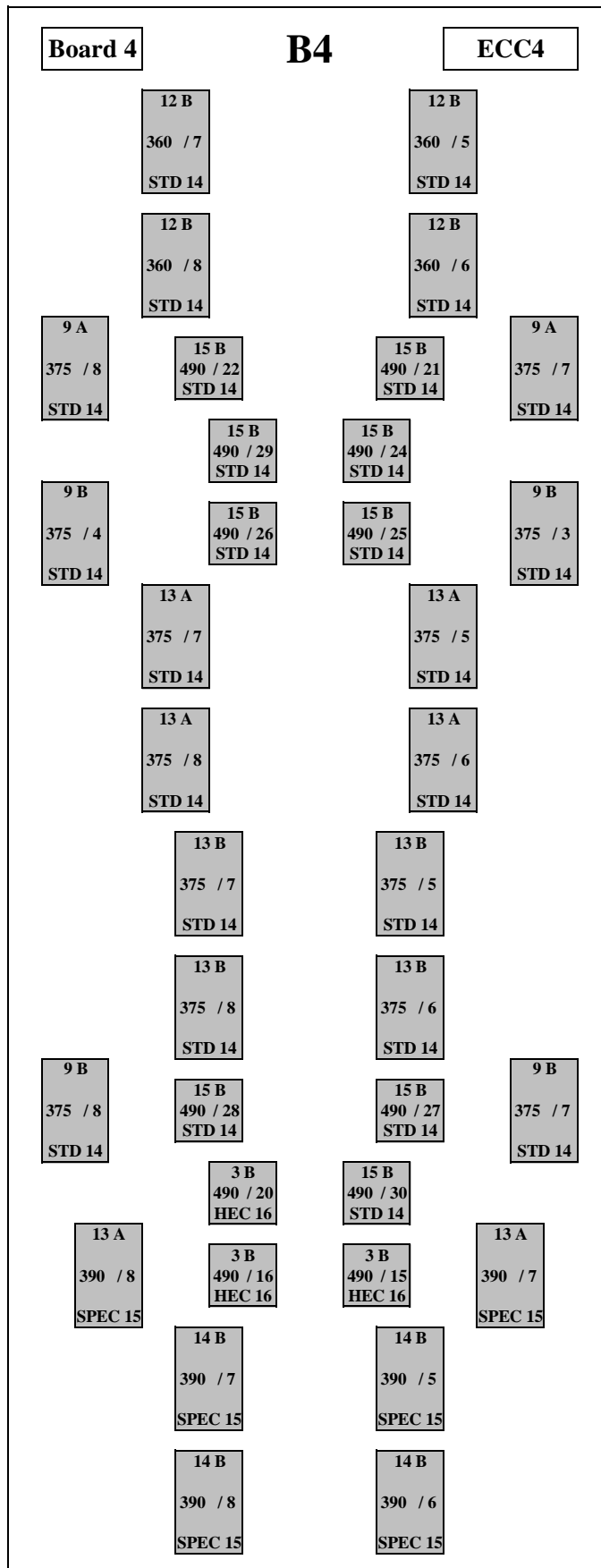
Harness :	12 B	2782	B4_1 and B4_2
Harness :	13 A	2896	B4_1 and B4_2
Harness :	13 B	2898	B4_1 and B4_2
Harness :	14 A	2900	B4_1 and B4_2
Harness :	9 A	2895	B3_1 - B3_2 & B4_1 - B4_2
Harness :	9 B	2897	B4_1 and B4_2
Harness :	13 A	2899	B4_1, B4_2, B4_3 and B4_4

Harness :	15 A	2407	Calibration
Harness :	3 B	2401	Calibration



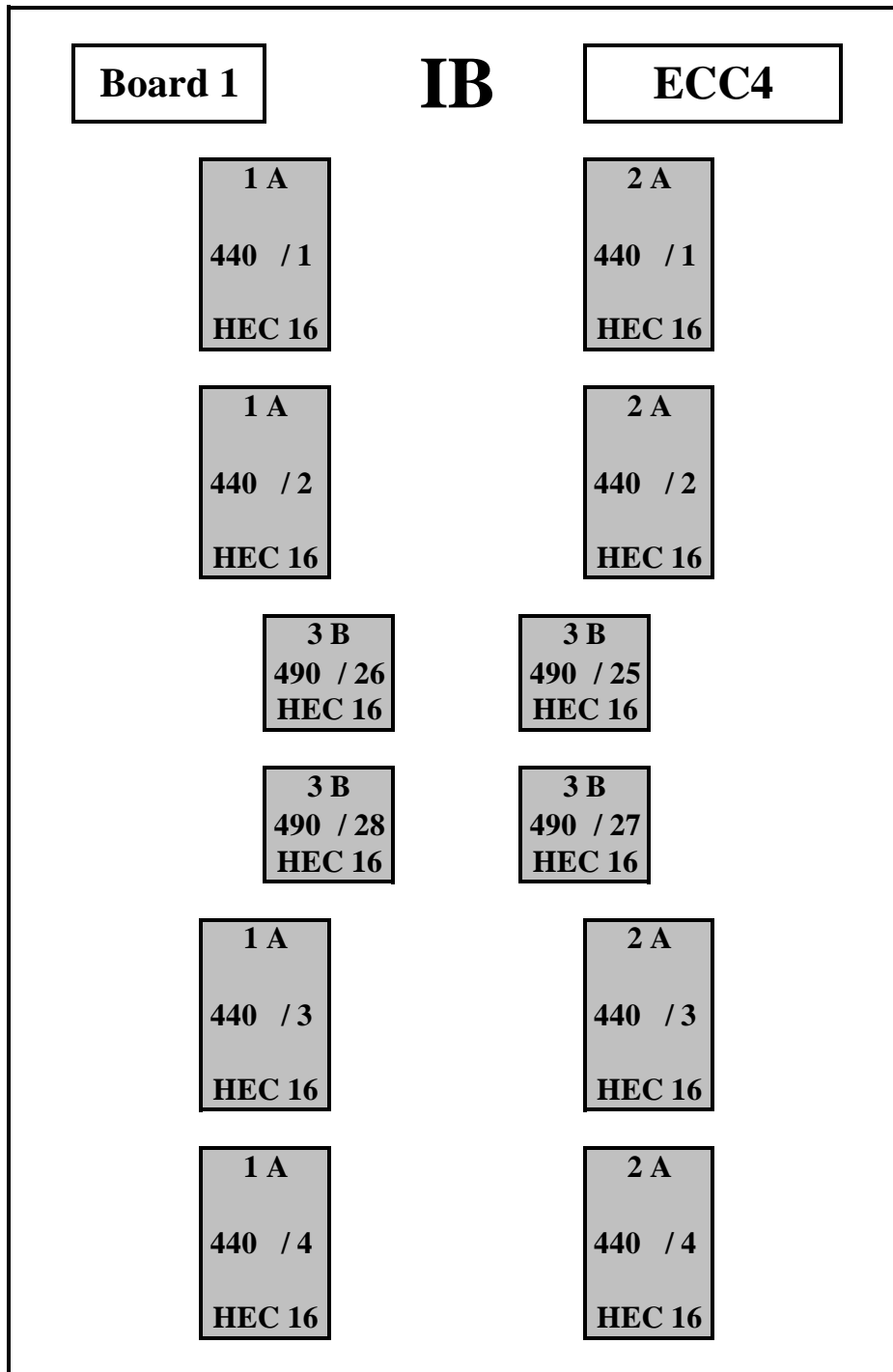
Harness :	12 B	2782	B4_1 and B4_2
Harness :	13 A	2896	B4_1 and B4_2
Harness :	13 B	2898	B4_1 and B4_2
Harness :	14 A	2900	B4_1 and B4_2
Harness :	9 A	2895	B3_1 - B3_2 & B4_1 - B4_2
Harness :	9 B	2897	B4_1 and B4_2
Harness :	13 A	2899	B4_1, B4_2, B4_3 and B4_4

Harness :	15 B	2398	Calibration
Harness :	3 B	2401	Calibration



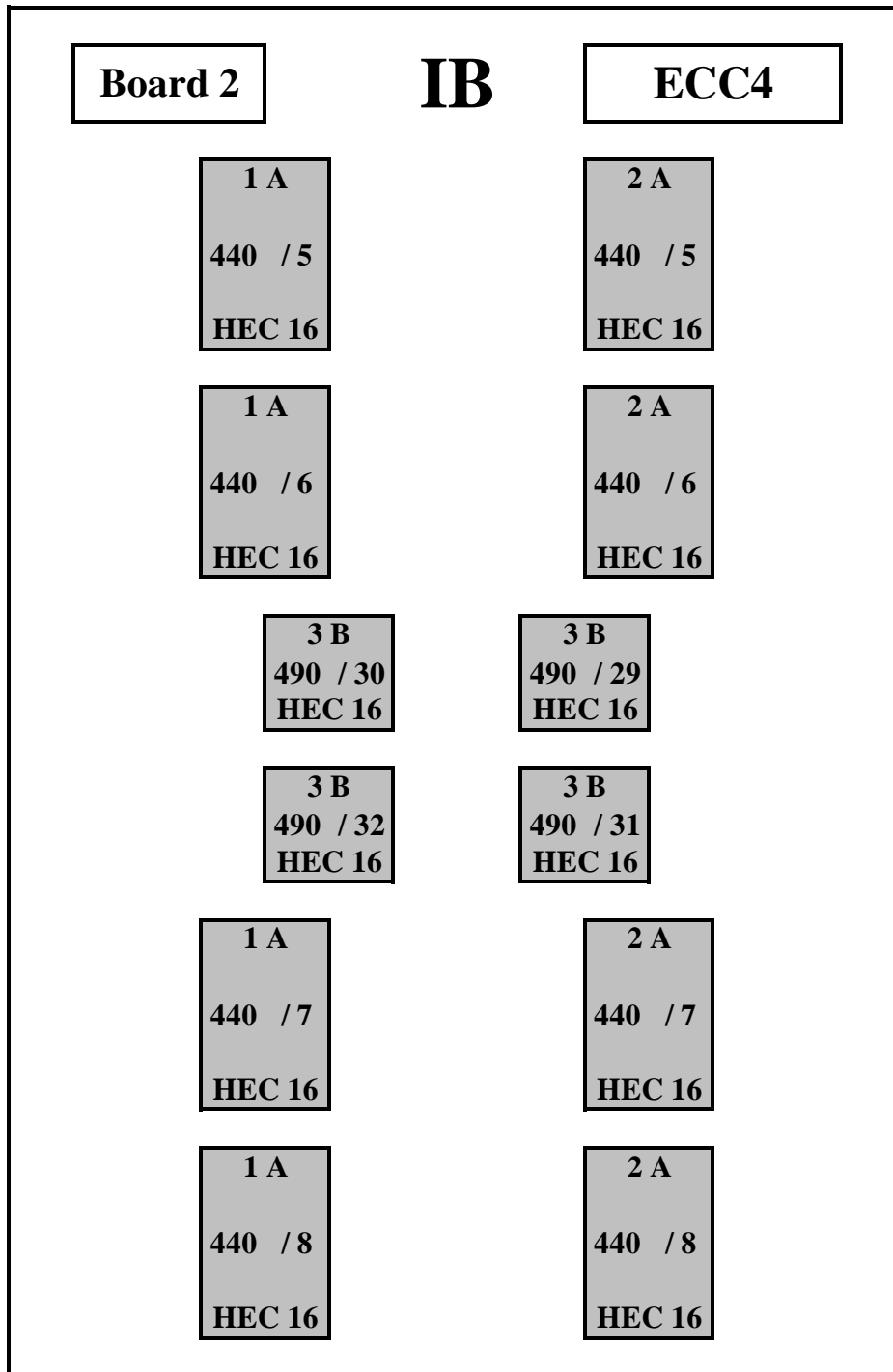
Harness :	12 B	2705	B4_3 and B4_4
Harness :	13 A	2784	B4_3 and B4_4
Harness :	13 B	2786	B4_3 and B4_4
Harness :	14 B	2901	B4_3 and B4_4
Harness :	9 A	2783	B3_3 - B3_4 & B4_3 - B4_4
Harness :	9 B	2785	B4_3 and B4_4
Harness :	13 A	2899	B4_1, B4_2, B4_3 and B4_4

Harness :	15 B	2399	Calibration
Harness :	3 B	2401	Calibration



Harness :	1 A	3000	IB_1 and IB_2
Harness :	2 A	3001	IB_1 and IB_2

Harness :	3 B	2401	Calibration
------------------	-----	------	-------------



Harness :	1 A	3000	IB_1 and IB_2
Harness :	2 A	3001	IB_1 and IB_2

Harness :	3 B	2401	Calibration
------------------	-----	------	-------------